

FR GUIDE D'INSTALLATION & D'UTILISATION
EN INSTRUCTIONS FOR USE
NL GEBRUIKSAANWIJZING
DE BEDIENUNGSANLEITUNG
ES MANUAL DE INSTRUCCIONES
PT MANUAL DE INSTRUCOES
IT MANUALE DI ISTRUZIONI

RÉFRIGÉRATEUR
REFRIGERATOR
KOELKAST
KÜHLSCHRANK
FRIGORIFICO
FRIGORÍFICO
FRIGORIFERO

DRF 913 JE

De Dietrich 



LES NOUVEAUX OBJETS DE VALEUR



Notes which are important for your safety or for the proper functioning of the appliance



Supplementary information regarding operation and practical applications of the appliance.



Tips and notes concerning economical and environmentally sound use of the appliance



Safety Instructions

This information has been provided in the interests of your safety. Please read it before installing or using the appliance. Please retain the instruction book for future reference. If owner ship is transferred, please leave the user manual for the new owner.

Domestic Use

- The domestic refrigerators and freezers are designed to be used specifically for the storage of edible foodstuffs only.
- Check the appliance for transport damage. Under no circumstances should a damaged appliance be installed. In the event of damage please contact your retailer.
- This appliance is heavy. The edges and projecting parts of the cabinet may be sharp. Be careful when moving the cabinet and always use gloves.
- Any electrical work required to install this appliance should be carried out by a qualified electrician or competent person.
- Make sure that the power plug is not squashed or damaged by the back of the appliance. Make sure that the cable is not trapped underneath the appliance, nor touches the motor.
- Do not remove the power cord by pulling on its lead, particularly when the appliance is being pulled out of its niche. If the power plug socket is loose, do not insert the power plug. Damage to the cord may cause a short-circuit, fire and/or electric shock.
- Do not use electrical appliances inside the appliance.
- Do not keep carbonated drinks or bottles in the freezer compartment. The glass bottles may break.
- Ice lollies can cause 'frost/freezer burns' if consumed straight from the freezer.
- It is dangerous to try and alter the specifications or modify this product in any way.
- Under no circumstances should you attempt to repair the appliance yourself. Refer to your local Service Centre, and always insist on genuine spare parts.

Child Safety

- This appliance is designed to be operated by adults only. Do not allow the children to tamper with the controls or play with the products. There is a risk of suffocation! Keep packaging material away from children!

- Remove the plug and ensure that any locks or catches are removed, to prevent young children being trapped inside.
- This appliance is not intended for use by persons (including children) with reduced physical, sensory or mental capabilities, or lack of experience and knowledge, unless they have been given supervision or instruction concerning use of the appliance by a person responsible for their safety. Children should be supervised to ensure that they do not play with the appliance.



Environment Protection


- This appliance does not contain any refrigerant gases harmful to the ozone layer in its refrigeration circuit and its insulating materials. It must not be scrapped with the urban rubbish and scrap iron in order to avoid damaging the refrigeration circuit and in particular the back of the appliance. Contact your town council for information on the collection of these types of appliances.



The materials used in this appliance, which are identified by this symbol, can be recycled.

Disposal of old appliances



The symbol  on the product or on its packaging indicates that this product may not be treated as household waste. Instead it shall be handed over to the applicable collection point for the recycling of electrical and electronic equipment. By ensuring this product is disposed of correctly, you will help prevent potential negative consequences for the environment and human health, which could otherwise be caused by inappropriate waste handling of this product. For more detailed information about recycling of this product, please contact your local city office, your household waste disposal service or the shop where you purchased the product.

Contents

Important Safety Instructions	15
Use Cleaning the interior / Starting-up / Temperatur control / Fresh food refrigeration	17
Movable shelves / Positioning the door shelves	17
Explanation of the cold zone signs	18
Hints Hints for refrigeration	18
Maintenance Defrosting / Periodic cleaning / Periodic of non-operation / Interior light	19
Customer service and spare parts	20
Technical specifications	20
Door reversibility	20
Installation Positioning / Electrical connection	21
Grid preparation	22
Building in the appliance under a worktop	22
Fitting the plinth	25

Use

Cleaning the interior

Before using the appliance for the first time, wash the interior and all internal accessories with lukewarm water and some neutral soap so as to remove the typical smell of a brand-new product, then dry thoroughly.



Do not use detergents or abrasive powders, as these will damage the finish.

Starting-up

Insert the plug into the wall socket.

Open the door and turn the thermostat control knob, to be found on the upper right hand side of the inner compartment, clockwise beyond position «O» (OFF) to start the appliance.

Temperature control

Temperature adjustment is obtained by turning the thermostat knob clockwise until its pointer coincides with the required setting.

A medium setting is generally the most suitable.

The minimum setting (least cold) is represented by the lowest number and the maximum setting (coldest) by the highest number. In any case, bear in mind that the temperature can be either increased (warmer) by turning the thermostat knob anticlockwise or decreased (colder) by turning it clockwise.

The thermostat knob setting should be adjusted depending on the inner temperature of the refrigerator, which, in turn, depends on a number of factors, such as:

- ambient temperature
- number of times the door is opened
- quantity of food stored
- location of the appliance



Warning

If the ambient temperature is high, the thermostat knob is on the coldest setting (higher numbers) and the appliance is fully loaded, the compressor may run continuously, causing frost or ice to form on the evaporator. If this happens, turn the knob to a warmer setting (lower numbers) to allow automatic defrosting and so a saving in electricity consumption.

Fresh food refrigeration

The refrigerator compartment is suitable for cooling drinks and for normal food storing.

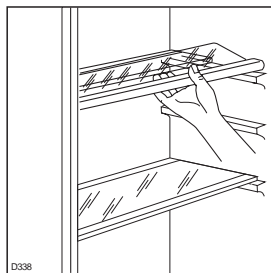
To obtain the best performance:

- do not store warm food or evaporating liquids in the refrigerator
- cover or wrap up the food, particularly if it has a strong smell.

Movable shelves

The walls of the refrigerator are equipped with a series of runners so that the shelves can be positioned as desired.

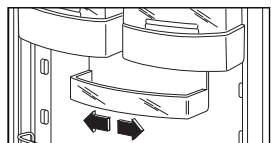
For better use of space, the front half-shelves can lie over the rear ones.



The glass shelf above the vegetable drawers and the bottle shelf should always remain in position, to ensure correct air circulation.

Positioning the door shelves

This model is equipped with a variable storage box which is fitted under a door shelf compartment and can be slid sideways.



For more thorough cleaning, the top and bottom door shelves can be easily removed and refitted in position.

Explanation of the cold zone signs



The symbol shown here on the left indicates the coldest point inside your refrigerator.

Coldest area: below or equal to +4°C

Meat, poultry, fish, cold cuts, ready-to-eat meals, mixed salads, egg or cream based mixes and cakes, fresh pasta, cake mixes, pizzas/quiches, fresh foods and fresh-milk cheeses, vegetables ready to be used and packed in plastic bags and all other fresh foods whose expiry date is associated with a preservation temperature below or equal to +4°C.

Temperatur indicator

Thermostat must be adjusted



Right Temperature



With the temperature indicator you can keep a check that your refrigerator is working properly.

The indicator shows the "OK" symbol when the coldest area reaches a temperature that is below or equal to 4°C.

If the temperature is higher than 4°C the indicator is black so you must adjust the thermostat to make the temperature drop.

ATTENTION: Keeping the refrigerator door open for a long time will cause the internal temperature to rise. To measure the temperature correctly, it should be read on the indicator within 30 seconds.

Hints

Hints for refrigeration


To help you use your refrigerator correctly, here are some useful hints:


- **Cooked food, cold cuts, jelly, etc.:** these should be well covered and can be stored on any of the glass shelves.
- **Fruit & vegetables:** these should be thoroughly cleaned and placed in the bottom drawer.
- **Butter & cheese:** these should be placed in special airtight containers or wrapped in aluminium foil or polythene bags to keep out as much air as possible.
- **Milk bottles:** these should have a top and should be stored in the bottle rack on the door.
- **Raw meat (beef, pork, lamb & poultry):** wrap in polythene bags and place on top of the salad compartment, this being the coldest spot in the refrigerator.

Meat can only be stored safely in this way for one or two days at the most.

Bananas, potatoes, onions and garlic, if not packed, must not be kept in the refrigerator.

Maintenance

 **Unplug the appliance before carrying out any maintenance operation.**

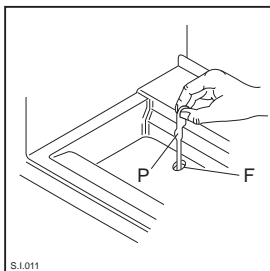
 **Warning**
This appliance contains hydrocarbons in its cooling unit maintenance and recharging must therefore only be carried out by authorised technicians.

Defrosting


Frost is automatically eliminated from the evaporator of the refrigerator compartment every time the motor compressor stops, during normal use.

The defrost water drains out through a trough into a special container at the back of the appliance, over the motor compressor, where it evaporates.

It is important to periodically clean the defrost water drain hole (F) situated under the salad drawers to prevent the water overflowing and dripping onto the food inside. Use the special cleaner provided (P), which you will find already inserted into the drain hole.



Periodic cleaning

 **Never use metal objects for cleaning your appliance as it may get damaged.**

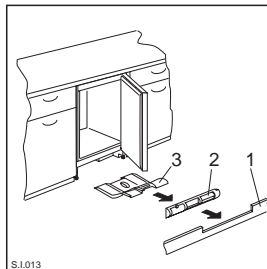
Clean the inside with warm water and bicarbonate of soda. Rinse and dry thoroughly.

The appliance is equipped with a ventilation grid. Keep clean to guarantee good ventilation and good working order of the appliance.

An accumulation of dust will affect the performance of the appliance and cause excessive electricity consumption.

The structure of the appliance permits cleaning of the rear zone close to the wall, using a vacuum cleaner.

1. Remove the plinth (1), then the ventilation grid (2);
2. Carefully pull the air deflector out (3), checking that there is no water left from the defrosting.



Periods of non-operation

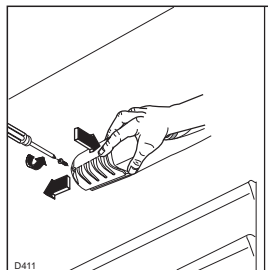
When the appliance is not in use for long periods, take the following precautions:

- remove the plug from the wall socket;
- remove all food;
- defrost and clean the interior and all accessories;
- leave the door ajar to allow air to circulate to prevent unpleasant smells.

Interior light

The light bulb inside the refrigerator compartment can be reached as follows:

1. unscrew the light cover securing screws;
2. unhook the moving part by pressing it as shown in the figure.



If the door is open and the light does not come on, check that the bulb is properly screwed in; if it still does not work, replace the bulb with one of the same power.

The maximum rating is shown on the light cover.

Customer service and spare parts

If the appliance is not functioning properly, check that:

- the plug is firmly in the wall socket and the mains power switch is on;
 - there is an electricity supply (find out by plugging in another appliance);
 - the thermostat knob is in the correct position.
- If there are water drops on the bottom of the cabinet, check that the defrost water drain opening is not obstructed (see "Defrosting" section).

If your appliance is still not working properly after making the above checks, contact the nearest service centre.

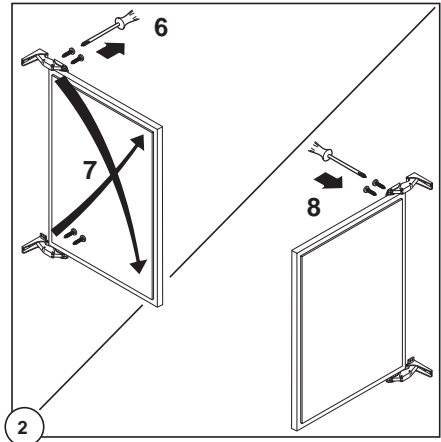
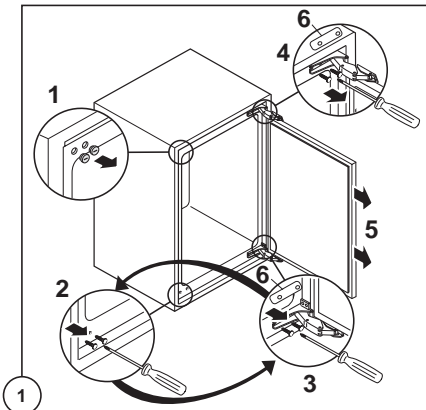
To obtain fast service, it is essential that when you apply for it you specify the model and serial number of your appliance which can be found on the guarantee certificate or on the rating plate located inside the appliance, on the bottom right-hand side.

Technical specifications

The technical data is indicated in the rating plate on the right side inside the appliance.

Door reversibility

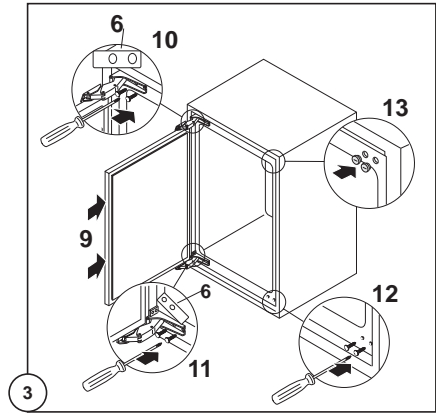
To reverse the opening direction of the door, proceed as follows:





Warning!

If the ambient temperature is cold (i.e. in Winter), the gasket may not fit perfectly to the cabinet. In that case, wait for the natural fitting of the gasket or accelerate this process by heating up the part involved with a normal hairdrier.



Installation

Positioning

The appliance should be installed well away from sources of heat such as radiators, boilers, direct sunlight etc.

Best performance is obtained with ambient temperature between +18°C and +43°C (class T); +18°C and +38°C (class ST); +16°C and +32°C (class N); +10°C and +32°C (class SN).

The class of your appliance is shown on its rating plate.

For building-in and door reversibility refer to the relevant instructions.

Electrical connection

Before plugging in, ensure that the voltage and frequency shown on the serial number plate correspond to your domestic power supply.

Voltage can vary by $\pm 6\%$ of the rated voltage.

For operation with different voltages, a suitably sized auto-transformer must be used.



Important

The appliance must be earthed.

The power supply cable plug is provided with a contact for this purpose.

If the domestic power supply socket is not earthed, connect the appliance to a separate earth in compliance with current regulations, consulting a specialist technician.

The Manufacturer declines all responsibility if the above safety precautions are not observed.



Attention!

It must be possible to disconnect the appliance from the mains power supply; the plug must therefore be easily accessible after installation.

This appliance complies with the E.E.C.

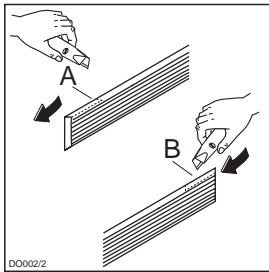
Directives:



Grid preparation

Left door opening:

Remove the left side (A) of the grid cutting it from the rear (see figure).

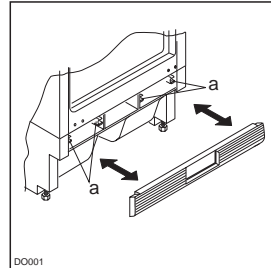


Right door opening:

Remove the right side (B) of the grid cutting it from the rear (see figure).

To position the grid on the appliance proceed as follows:

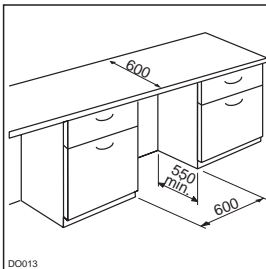
Apply the grid to the base of the appliance by pushing on to the clasps (a) until they click.



Building in the appliance under a worktop

Dimensions of the recess

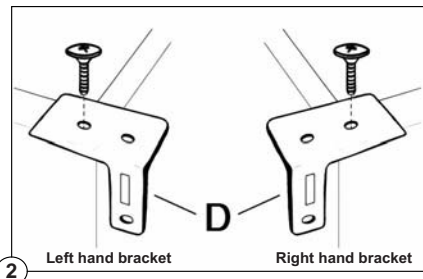
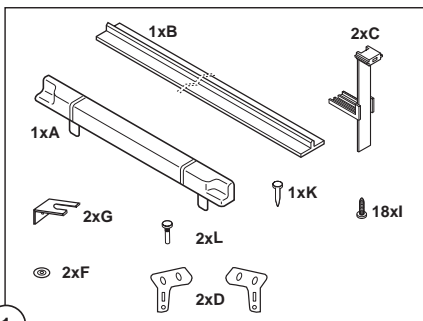
The dimensions of the recessed installation area must correspond with those indicated in the figure.



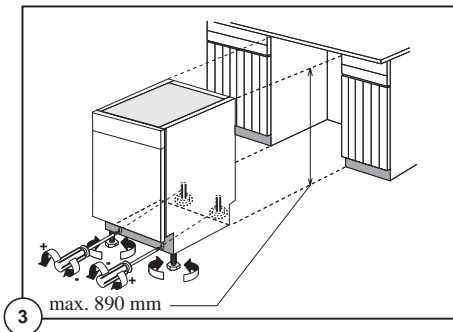
1. Two cabinet securing brackets are supplied with the installation pack. They need to be assembled onto the cabinet prior to cabinet being pushed into the Kitchen aperture.

- To fit these brackets remove the two screws at the top left and right hand front corners of the cabinet.
- Position the two brackets as shown in the figure and replace the two securing screws.

Installation kit



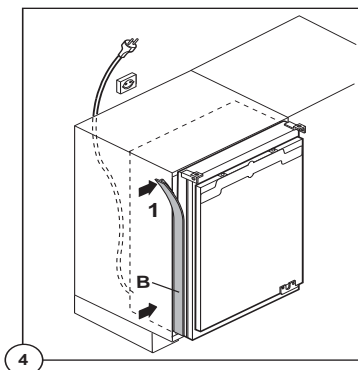
2. Push the appliance into place. The plug socket necessary for connection of the appliance to the electricity supply should be positioned, so that the plug is not placed in the recess.



3. Push the appliance into place. The plug socket necessary for connection of the appliance to the electricity supply should be positioned, so that the plug is not placed in the recess.

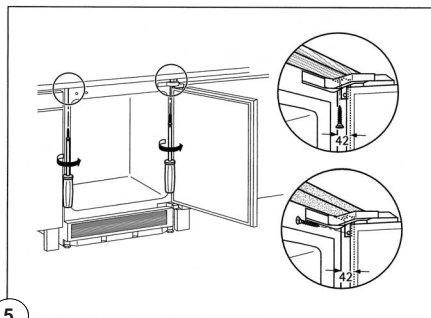
To adjust the height proceed as follows:

- Loosen or tighten the two front feet.
- The rear feet are adjusted by turning the screw in the front kick plate to the left or right.

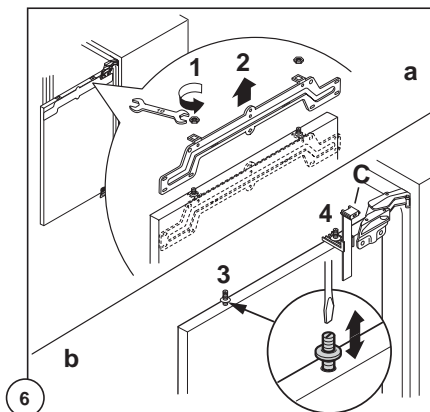


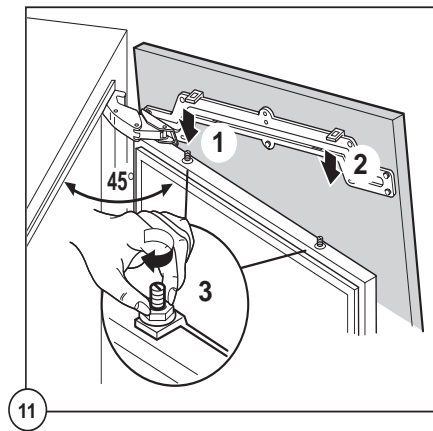
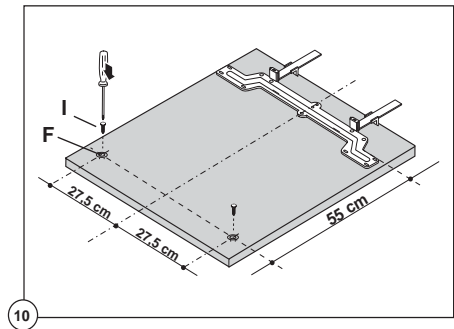
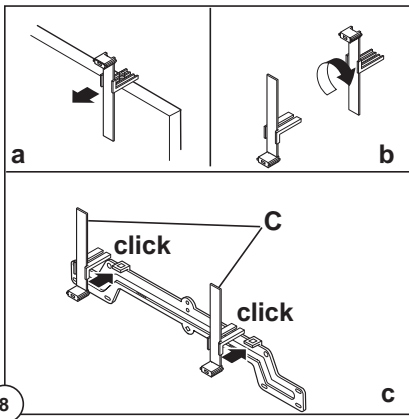
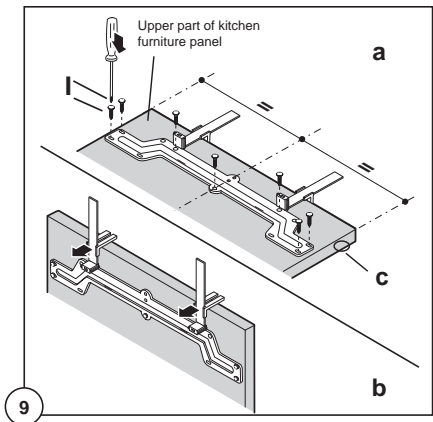
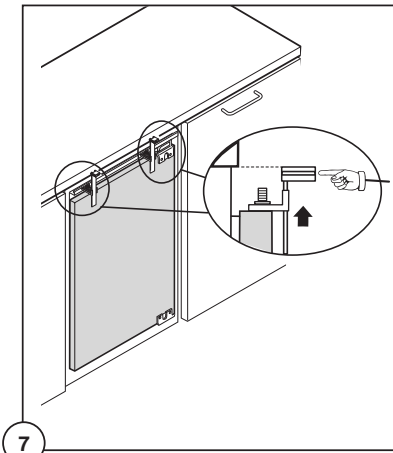
4. The joint cover (B) is to be assembled after having installed the appliance in the recess.

6. Screw appliance into place and retain the cabinet with screws through the securing brackets into the worktop or adjacent woodwork as necessary.



6. To mount the furniture door proceed as shown in the figures:





Aanwijzing voor het gebruik van het instructieboekje



Met de waarschuwingsdriehoek en/of door signaalwoorden wordt de aandacht gevestigd op aanwijzingen die belangrijk zijn voor uw veiligheid of voor het juist functioneren van het apparaat.



Na dit symbool wordt uitleg gegeven over de bediening en het praktisch gebruik van het apparaat.



Tips en aanwijzingen voor een economisch en milieuvriendelijk gebruik van het apparaat.



Veiligheid

Het is uiterst belangrijk dat de bij het apparaat behorende gebruiksaanwijzing bewaard blijft. Zou het apparaat door u aan iemand anders gegeven of verkocht worden, of zou het apparaat in het huis van waaruit u verhuist achterblijven, dan dient de nieuwe gebruiker over de gebruiksaanwijzing en de daarin opgenomen waarschuwingen te kunnen beschikken.

Indien dit apparaat in de plaats van een oud model met haak- of veersluiting opgesteld wordt, dan is het raadzaam de sluiting van het oude apparaat, dat terzijde gezet wordt, onbruikbaar te maken.

Deze waarschuwingen zijn bedoeld voor uw en andermans veiligheid. U wordt geacht ze gelezen te hebben, alvorens u het apparaat installeert en/of in gebruik neemt.

Algemene veiligheid

- Dit apparaat is niet bedoeld voor gebruik door kinderen, personen met verminderde lichamelijke, zintuiglijke of geestelijke capaciteiten of een gebrek aan kennis en ervaring, tenzij er toezicht is ingesteld door de persoon die verantwoordelijk is voor hun veiligheid of tenzij zij van deze persoon instructies hebben gekregen over het gebruik.
Laat kinderen niet zonder toezicht in de buurt van het apparaat.
- Het is gevaarlijk om, in welke vorm dan ook, dit apparaat of de eigenschappen daarvan te veranderen.
- Neem vóór u aan ontdooien, schoonmaakwerkzaamheden of het verwisselen van het, eventueel aanwezige, verlichtingslampje begint altijd de stekker uit het stopcontact.
- Dit apparaat is zwaar. Delen van randen aan achter- en onderkant kunnen scherp zijn. Wees voorzichtig bij het tillen.
- Plaats NOOIT explosieve stoffen in het apparaat, zoals gasvullingen, benzine, ether, aceton enzovoorts.
- Het direct vanuit een vriesvak, vriesgedeelte of

vriezer consumeren van ijslollies en dergelijke, kan verbranding van de mondheid tot gevolg hebben; wacht even.

AFDANKEN. Verwijder de deur(en) of het deksel en knip het aansluitsnoer af, zodat, in afwachting van wegbrengen of weghalen, spelende kinderen er zich niet in op kunnen sluiten of aan een elektrische schok bloot kunnen staan.

- Plaats nooit elektrische apparaten (bijv. ijsmachines) in de kast.

Onderhoud / Reparatie

- Een eventueel noodzakelijke wijziging aan de elektrische huisinstallatie of het aansluitsnoer, ten behoeve van de installatie van dit apparaat, mag uitsluitend door een daartoe bevoegd persoon uitgevoerd worden. Het betreffende stopcontact dient, ook na eventuele onder- of inbouw, gemakkelijk bereikbaar te zijn. Werkzaamheden die door personen zonder de noodzakelijke kennis uitgevoerd worden, kunnen schade of letsel tot gevolg hebben.
- Laat inspectie- en/of herstelwerkzaamheden uitvoeren door onze SERVICE-afdeling en laat geen andere dan originele onderdelen plaatsen.
- Dit apparaat bevat koolwaterstoffen in de koudekringloop; het onderhoud en het bijvullen dient daarom uitsluitend door door het bedrijf aangewezen deskundig personeel uitgevoerd te worden.
- Tracht, in geval van storing of een defect, dit apparaat niet zelf te repareren. Reparaties die door niet-deskundige personen uitgevoerd worden, kunnen tot schade of letsel leiden. Raadpleeg onze SERVICE-afdeling.

Gebruik

- Huishoudelijke koel- en/of vriesapparaten zijn uitsluitend bedoeld voor het bewaren en/of invriezen van eet- of drinkbare producten.

Gedrukt op milieuvriendelijk vervaardigd papier

- Volg de raadgevingen van de fabrikant op met betrekking tot waar en hoe u spijzen en dranken bewaart of invriest. Ontdooide diepvriesproducten mogen, om gezondheidsredenen, niet wederom ingevroren worden.
- De vriezende binnenwanden of -vlakken in het apparaat bevatten koelmiddel. Plaats geen scherpe voorwerpen tegen zo'n wand of vlak en schraap evenmin met metalen voorwerpen rijp of ijs af. Lekkage kan het gevolg zijn, hetgeen een onherstelbare schade aan het apparaat en bederf van de levensmiddelen veroorzaakt.
- Geen voorwerpen of methodes gebruiken om het ontdooiproces te versnellen die niet door de fabrikant zijn aangegeven.
- Nooit metalen voorwerpen gebruiken om het apparaat schoon te maken; dit zou het apparaat kunnen beschadigen.
- Plaats geen koolzuurhoudende of mousserende dranken in het vriesvak, het vriesgedeelte of de vriezer; de blikjes of flesjes kunnen door bevroering van de inhoud exploderen.

Installatie

- Zorg ervoor dat de stekker niet wordt platgedrukt of beschadigd door de achterkant van het koel/vriesapparaat.
 - Een beschadigde stekker kan oververhit raken en brand veroorzaken.
- Plaats geen zware voorwerpen of het koel/vriesapparaat zelf op het aansluitsnoer.
 - Daardoor bestaat kans op kortsluiting en brand.
- Trek de stekker niet uit het stopcontact door aan het snoer te trekken, vooral niet als het koel/vriesapparaat uit de nis wordt getrokken.
 - Schade aan het snoer kan kortsluiting, brand en/of een elektrische schok veroorzaken.
- Plaats het apparaat met z'n achterkant zo dicht

mogelijk bij een muur. Hiermee voorkomt u verbrandingsletsel door aanraking van hete tot zeer hete delen.



Milieubescherming

- Het koelsysteem en het isolatiemateriaal van dit apparaat bevatten geen koelgassen die schadelijk zijn voor de ozonlaag. Het apparaat mag niet worden afgevoerd met het huisvuil of op de schroothoop om beschadiging van het koelsysteem te voorkomen met name aan de achterzijde van het apparaat. Neem contact op met uw gemeentehuis om te weten te komen op welke manier u dit soort apparaten kunt afvoeren.



De materialen gebruikt voor dit apparaat en geïdentificeerd met dit symbool zijn recycleerbaar.

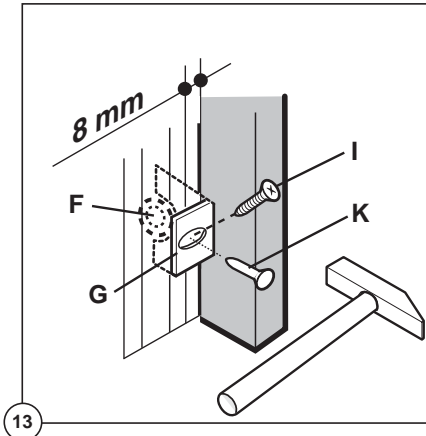
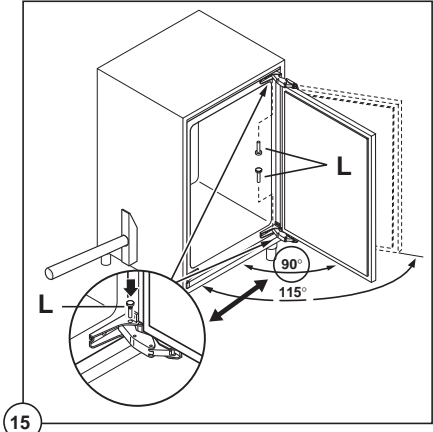
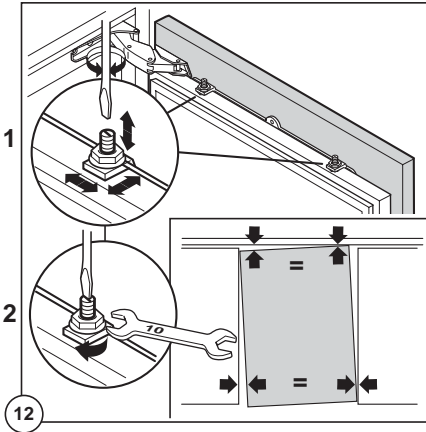
Weggoien van oude apparaten



Het symbool  op het product of op de verpakking wijst erop dat dit product niet als huishoudafval mag worden behandeld. Het moet echter naar een plaats worden gebracht waar elektrische en elektronische apparatuur wordt gerecycled. Als u ervoor zorgt dat dit product op de correcte manier wordt verwijderd, voorkomt u mogelijk voor mens en milieu negatieve gevolgen die zich zouden kunnen voordoen in geval van verkeerde afvalbehandeling. Voor meer details in verband met het recyclen van dit product, neemt u het best contact op met de gemeentelijke instanties, het bedrijf of de dienst belast met de verwijdering van huishoudafval of de winkel waar u het product hebt gekocht.

Inhoud

Waarschuwingen en belangrijke adviezen	26
Gebruik Reiniging van de binnenkant / Ingebruikname / Temperatuurinstelling	28
Koelen van levensmiddelen / De indeling van de koeler / Verplaatsen van deurvakken	28
Uitleg van de symbolische tekens van het koude gebied	29
Tips Tips het koelen	29
Onderhoud Ontdooien / Schoonmaken / Vervangen van de lamp / Tijdelijk buiten gebruik stellen	30
Service dienst en onderdelen	31
Technische gegevens	31
Wijzigen van de deurdraairichting	31
Installatie Plaats van opstelling / Elektrische aansluiting	32
Vorbereiding van het ventilatierooster	33
Inbouw onder een werkblad	33
Montage van het sokkelpaneel	36



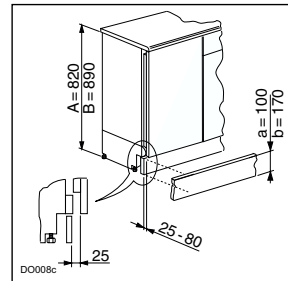
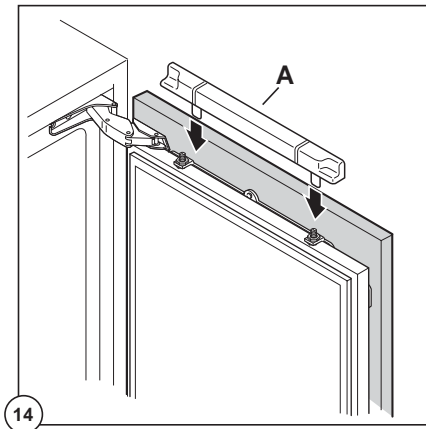
Fitting the plinth



Important

For the efficient operation of the appliance, it is important that the original ventilation grid is used.

- If the opening height dimension is $A=820$ mm, the plinth height must be $a=100$ mm.
If the opening height dimension is $B=890$ mm, the plinth height must be $b=170$ mm.
- For intermediate heights cut the plinth to a requested height, but pay attention that it does not cover or exceeds the ventilation grid.
- Attach plinth to the kitchen units.



Important

The plinth must be positioned at a minimum distance of 25 mm from the door.

7. Refit the covering strip (A).

Service Consommateurs De Dietrich

BP 9526

95069 CERGY PONTOISE CEDEX

Tel : +33 (0) 892 02 88 04*

*0,34 Eur TTC / min à partir d'un poste fixe

Tarif en vigueur au 1 avril 2004

Service fourni par

Brandt Customer Services société par actions simplifiée au capital de 2.500.000 euros

5/7 avenue des Béthunes, 95310 Saint Ouen l'Aumône

RCS Pontoise 440 303 303

Brandt Appliances - S. A. S. au capital de 10 000 000 Euros - RCS Nanterre B 440 302 347

