

Operating and Installation Instructions  
Notice d'utilisation et d'installation  
Instrucciones de utilización y de montaje

**AH 400-701**

**AH 400-731**

Island Hood  
Hotte centrale  
Campana de Isla

**GAGGENAU**

**GB**

Operating and Installation  
instruction **Page 1 - 22**

---

**FR**

Notice d'utilisation  
et d'installation **Page 23 - 44**

---

**ES**

Notice d'utilisation  
et d'installation **Page 45 - 67**

---

**GB**

Hints on how to use these operating  
instructions **Page 1**

---

Feature **Page 2**

---

Safety notes **Page 3-4**

---

Operation **Page 5-7**

---

Cleaning and care **Page 8-9**

---

Installation **Page 10-22**

---

## Hints on how to use these operating instructions

Dear customer,

We wish to cordially congratulate you on your decision to purchase an exclusive kitchen appliance from Gaggenau.

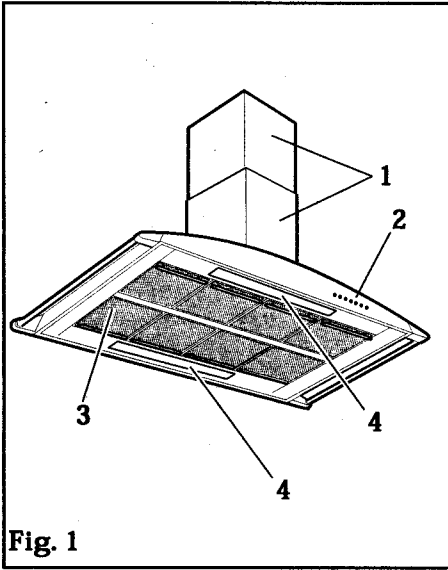
To make sure you will be able to use all functions of the appliance as quickly and safely as possible, we have endeavored to formulate these operating instructions as concisely as possible.

We are sure we will have explained the most important things to you in only a few minutes; if need be, simply look up the rest.

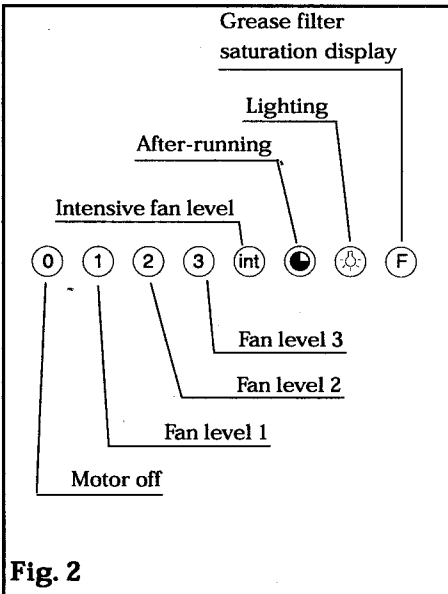
Please keep the operating instructions in a safe place.

These documents also include installation instructions. Certain installation work must only be done by corresponding trained persons. Please make sure that these instructions are always available whenever needed by specialists.

# Feature



1. Exhaust Ducts
2. Control panel
3. Grease filter
4. Lighting System



## This flat screen hood offers you:

- an outstanding stainless design,
- a good extraction capacity with low noise values,
- easy operation and care,
- a large number of operator control functions thanks to electronic control and
- various special functions (e.g. interval ventilation).

# Safety notes

**WARNING - TO REDUCE THE RISK OF FIRE, ELECTRIC SHOCK, OR INJURY TO PERSONS, OBSERVE THE FOLLOWING:**

- a.) Use this unit only in manner intended by the manufacturer. If you have questions, contact the manufacturer.
- b.) Before Servicing or Cleaning Unit, Switch Power Off At Service Panel and Lock Service Panel To Prevent Power From Being Switched On Accidentally.

## **CAUTION:**

For General Ventilation Use Only. Do Not Use To Exhaust Hazardous Or Explosive Materials And Vapors.

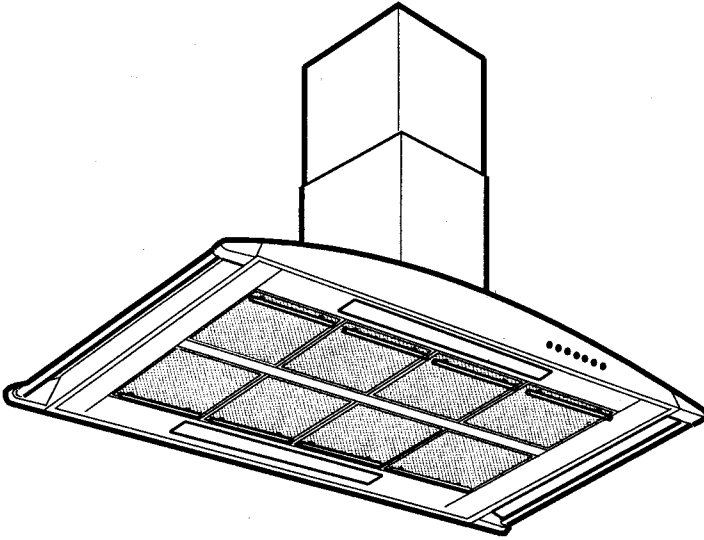
**WARNING - TO REDUCE THE RISK OF A RANGE TOP GREASE FIRE.**

- a.) Keep fan, filters and grease laden surfaces clean.
- b.) Always turn hood on when cooking at high heat.
- c.) Use high range settings on range only when necessary. Heat oil slowly on low to medium settings.
- d.) Do not leave range unattended when cooking.
- e.) Always use cookware and utensils appropriate for the type and amount of food being prepared.

**WARNING - TO REDUCE THE RISK OF INJURY TO PERSONS IN THE EVENT OF A RANGE TOP GREASE FIRE, OBSERVE THE FOLLOWING:**

- a.) SMOTHER FLAMES with a close-fitting lid, cookie sheet, or metal tray, then turn off the burner. BE CAREFUL TO PREVENT BURNS. If the flames do not go out immediately, EVACUATE AND CALL THE FIRE DEPARTMENT.
- b.) NEVER PICK UP A FLAMING PAN - You may be burned.
- c.) DO NOT USE WATER, including wet discloth or towels - a violent explosion will result.
- d.) Use an extinguisher ONLY if:
  1. You know you have Class ABC extinguisher, and you already know how to operate it.
  2. The fire is small and contained in the area where it started.
  3. The fire department is being called.
  4. You can fight the fire with your back to an exit.

# Safety notes



**Fig. 3**

## **Note**

Disconnect the power supply from the insular extractor before carrying out any work on it, even when replacing lamps. Turn OFF power circuit at the service panel.

You yourself are responsible for ensuring that the unit is in a perfect condition and for using it properly.

Owing to the risk of fire, you must not leave food to fry under the insular extractor without supervision. Over-greased filters are a fire risk!

If the filter mat is very greasy, we advise you to clean the filter before the prescribed interval has elapsed. Failure to observe the cleaning instructions poses a fire risk.

Dishes must not be flambéd under the hood.

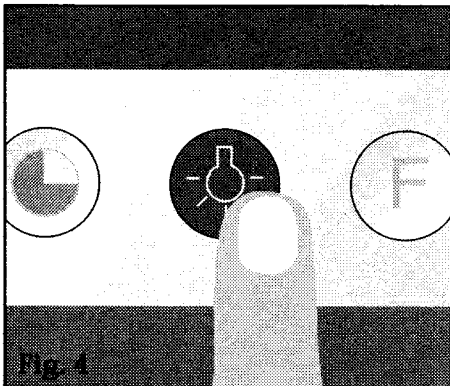
When cooking on a gas cooker, always put lids on pots and pans.

If malfunctions should occur, contact your dealer or Gaggenau after-sales service. In doing so, please specify the type of unit concerned (the rating plate is visible after removing the grease filter in the interior).

**We cannot be held responsible for damage caused by failure to observe these instructions.**

**The right is reserved to make technical modifications.**


# Operation

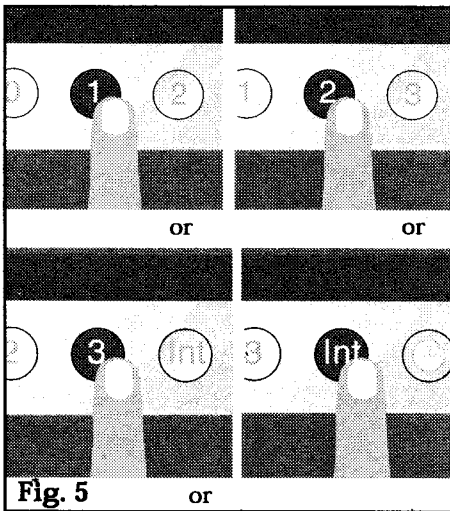


## Control panel

The control panel is located on the right of the insular extractor. After actuation, all function selection keys with the exception of the „Motor off” key are back-lit in green.

## Light

The lighting can be switched on or off, regardless of whether the extractor is in operation, by pressing the  key (see Fig. 4).

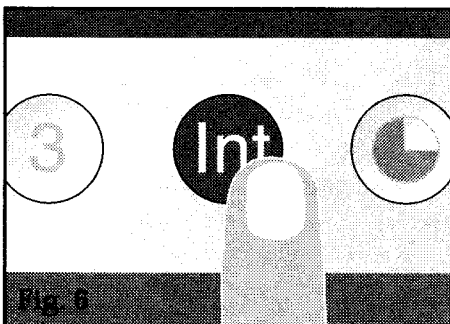


## Fan levels

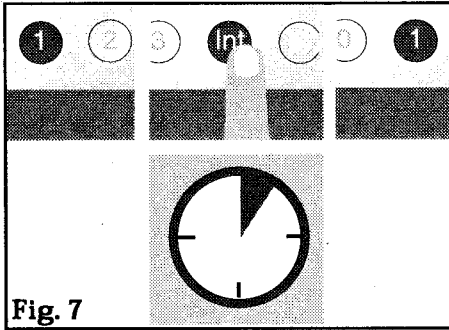
Three fan speeds and one intensive speed are available (see Fig. 5). You set the fan level required for each respective cooking situation by pressing the function selector keys 1, 2, 3 or Int.

The Int key for the intensive level should be pressed when browning and frying in an open pan. (see Fig. 6)

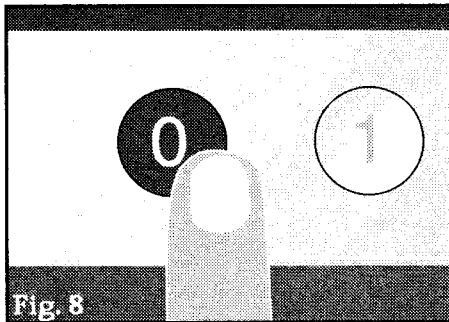
If you have switched on the hood by selecting the intensive level, it will be switched off again automatically after 5 minutes.



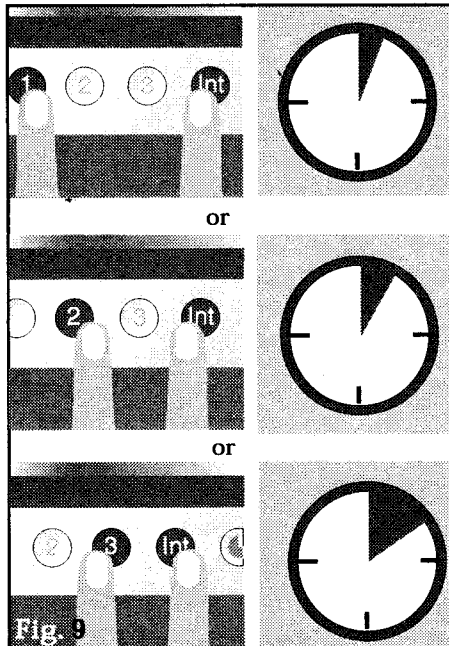
# Operation



If you press the **Int** key while the hood is running at fan level **1**, **2** or **3**, the electronic control will switch back automatically to the previously selected fan level after 5 minutes (see Fig. 7).



If you would like to end the intensive level before the five minutes have elapsed, press the **0** key („Motor off“) or the keys **1**, **2** or **3** to continue operation at these levels (see Fig. 8). You can switch off the wall extractor's extraction function at any time by pressing the **0** key („motor off“).

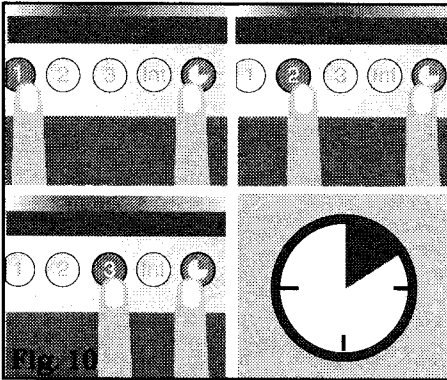


## Special functions:


### Intensive time:


You can set the intensive level running time to 3, 5 or 10 minutes by simultaneously pressing the **Int** key and the **1**, **2** or **3** key and you can store this setting (see Fig. 9). When delivered, the appliance is set to five minutes, i.e. the combination of the **Int** key / key **2**.


# Operation

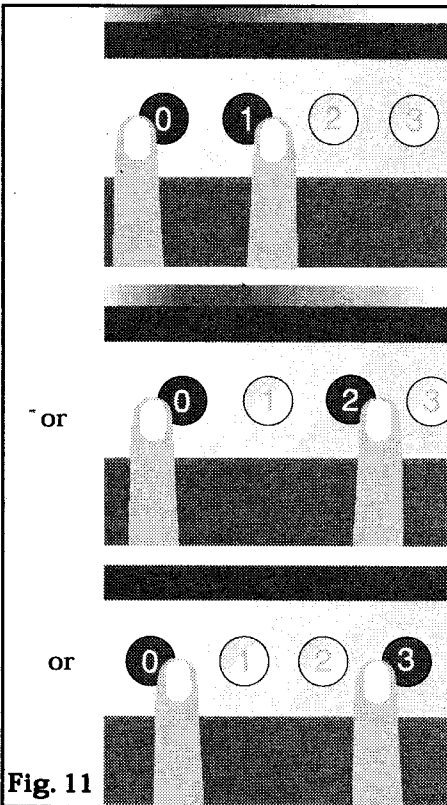


## After-running level:

Press the  key to switch after-running on or off.


You can set and store the after-running level by simultaneously pressing the key  and the key 1, 2 or 3 (see Fig. 10).

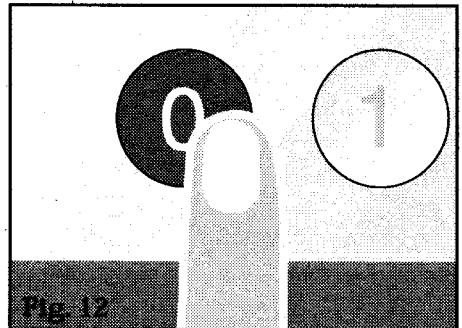
Level 2, i.e. the combination of the key / key 2, are set at the factory. The after-running time for all settings is ten minutes. The ventilation and lighting functions switch off automatically after this time.



## Interval ventilation:

Interval ventilation is a special feature of this appliance which periodically activates the fan for five minutes every hour. You can activate this function by simultaneously pressing the 0 key and, depending on the required extraction capacity, the 1, 2 or 3 key (see Fig. 11).

This mode of operation is indicated by alternating illumination of the key  together with the corresponding fan level indicator. You can switch off interval ventilation by pressing the key 0. (see Fig. 12).





# Cleaning and care

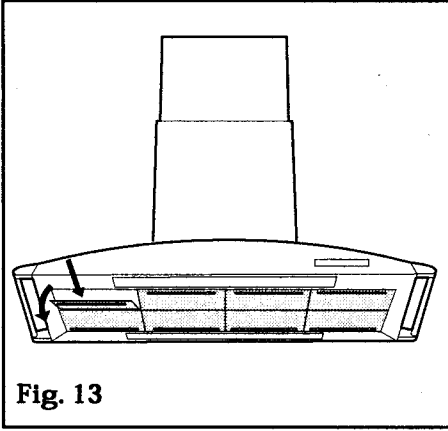


Fig. 13

The grease filter saturation display **F** flashes after an operating time of 30 hours to indicate to you that you should clean the grease filter.

It goes without saying that the grease filter can be cleaned at any time, even if the grease filter saturation display should not start to flash.

The metal grease filters can be removed easily for cleaning (Fig. 13).

Grip the handle of the grease filter and press it horizontally in the direction of the middle of the hood. Then pull the filter downwards out of the holder; repeat the operation until you have removed all grease filters.

The metal grease filters can be cleaned in a dishwasher at a maximum temperature of 65 °C, where it should be supported vertically to allow food or rinsing residues to drain off.

After having cleaned them, re-insert the grease filters in the insular extractor in reverse order.

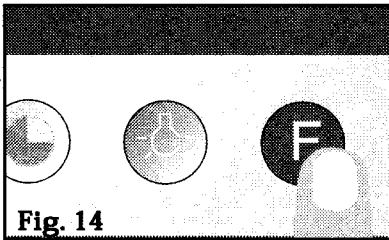


Fig. 14

Press the **F** button (Fig. 14): this will reset the timer to zero and turn off the saturation indicator light for the filter.

# Cleaning and care

The outer parts of the insular extractor should be cleaned with a mild detergent or cleaning and care agents for stainless steel.

If possible when replacing the filters, the inner part of the housing should be wiped out with hot rinsing water.

Clean the control panel with a moist cloth and a little detergent.

Do not use any implements such as brushes or abrasive agents such as scrubbing cleaners.

## Lamp replacement

Deactivate the insular extractor's power supply as described on page 4.

Detach the lamp cover by removing the two screws.

Before replacing the fluorescent lamp, the bracket that fastens the lamp in place must be removed with a screwdriver or other suitable tool.

### Note

The fluorescent lamp may break if the fastening bracket for the lamp is removed incorrectly.

### Warning:

improper removal of the bracket may cause injury.

First, pull the lamp downward to remove it from the plastic support piece and then pull in the horizontal direction to remove it from the lamp holder.

**Defective or burned out lamps must only be replaced with the same type of lamp.**

Original spare parts (spare part code no. **211406**) can be purchased from an authorised dealer or a Gaggenau service centre.

Insert the new fluorescent lamp in the socket so that it audibly engages. Press the lamp securely into the plastic holder to make sure that it will not drop out.

Clean the lamp cover in rinsing detergent and then secure it on the insular extractor again.

Push the retaining stirrup over the mount until it engages.

Connect the unit to the power mains again.

# Installation

**Warning** - To reduce the risk of fire, electric shock, or injury to persons, observe the following:

- a.) Installation Work And Electrical Wiring Must Be Done By Qualified Person (S) In Accordance With All Applicable Codes And Standards, Including Fire-Rated Construction.
- b.) Sufficient air is needed for proper combustion and exhausting of gases through the flue (chimney) of fuel burning equipment to prevent back drafting. Follow the heating equipment manufacturer's guideline and safety standards such as those published by the National Fire Protection Association (NFPA), and the American Society for Heating, Refrigeration and Air Conditioning (ASHRAE), and the local code authorities.
- c.) When cutting or drilling into wall or ceiling, do not damage electrical wiring and other hidden utilities.
- d.) Ducted fans must always be vented to the outdoors.
- e.) If this unit is to be installed over a tub or shower, it must be marked as appropriate for the application and be connected to a GFCI (Ground Fault Circuit Interrupter) - protected branch circuit.
- f.) NEVER place a switch where it can be reached from a tub or shower.

## **WARNING:**

To reduce the risk of fire, Use only metal ductwork.

# Installation

The applicable regulations of the power supply company and the regional building regulations must be observed when installing the insular extractor hood.

With regard to electrical appliances, gas appliances and Vario cooking ranges, the minimum clearance from the cooking surface to the bottom edge of the extractor hood must be 700 mm (27 5/8").

The insular extractor weighs approx. 70 kg (154 lbs).

## Connection possibilities

The insular extractor is designed for exhaust air operation. Exhaust air can be passed into a separate exhaust air shaft or through the outer wall directly into the open. It is not permitted to pass the exhaust air into an operating flue or exhaust chimney or into a shaft linked to the heating basement.

You must consult the responsible district chimney sweep if you wish to pass the exhaust air into a chimney that is not in operation.

**You must ensure an adequate supply of incoming air if, in the same room as the one in which the extractor is installed, you operate a wood, coal, gas or oil heater or a fireplace.**

The hood can only be guaranteed to operate properly and safely if, in the room where it is being operated to vent the exhaust produced by open flames, the draft pressure does not exceed 4 Pa (0.04 mbar). This value can be guaranteed by the presence of apertures which cannot be obstructed, e.g. doors, windows, exhaust or intake openings, or other measures which will insure an adequate supply of combustion air.

The exhaust air pipes may consist of flexible aluminium piping and corrosion-protected sheet metal pipes as well as exhaust air pipes made of a fire class B1 material conforming to DIN 4102. Exhaust air pipes should have a nominal diameter of 200 mm (8").

When using 150mm (6") exhaust air pipes, the enclosed adapter must be installed in the mounting system (Caution: **reduced air output**).

Pay particular attention to ensuring that:

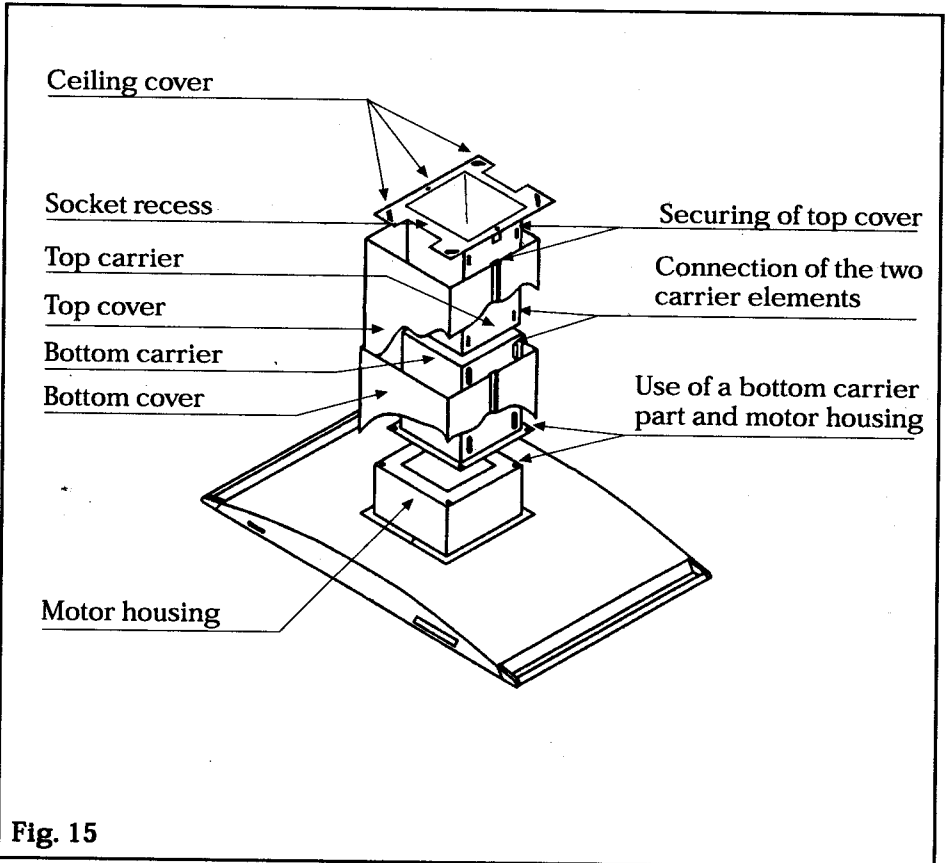
- exhaust air ducts and pipes are kept as short as possible,
- the pipes are not laid at an acute angle, but as bends inserted into the shaft at an upward angle, and that
- there are no cross-sectional constrictions in the upward direction.

# Installation

For laying through the outside wall, we recommend use of our telescopic wall box TM 200-048 for a nominal diameter of 200mm (7 7/8") or TM 150-045 for a nominal diameter of 150 (6").

## Note

When using other blow-out systems, the exhaust air shaft must be protected against rain water ingress.



# Installation

As standard, the insular extractor blows out exhaust air in the upward direction.

Remove the insular hood from its packaging.

## **Important**

The insular hood must not be removed from the packaging by its end pieces or the two rods.

Extract the cooker hood from its package.

The mounting system has been adapted individually by your kitchen studio to the height of your ceiling. It consists of one of the following mounting units:

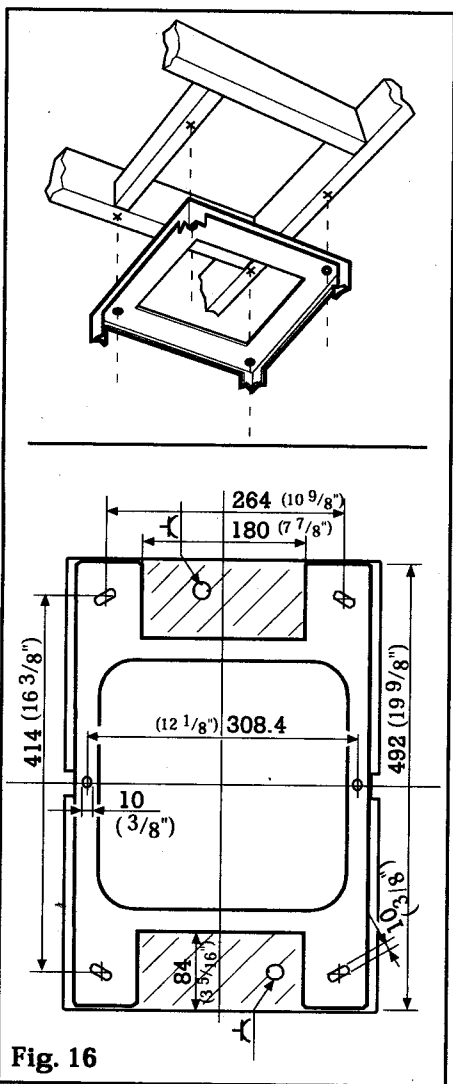
- LK 400-010 for ceiling heights of 2.35 m - 2.48 m (7'9"-8'2")
- LK 400-020 for ceiling heights of 2.48 m - 2.74 m (8'2"-9')
- LK 400-030 for ceiling heights of 2.74 m - 3.26 m (9'-10'9").

The above dimensions refer to a distance of 1.60 metres (5'3") between the bottom edge of the hood and the floor.

If a side outlet is required, the top cover must be replaced by the corresponding air duct KA 400-010, KA 400-020 or KA 400-030.

A special duct is available as a joining stainless steel ceiling panel. Please enquire.

# Installation



## Important

Before marking the securing holes, make sure there are no electrical wires, water pipes or similar laid in the ceiling.

**WARNING:** Turn OFF power circuit at the service panel before installing or wiring this unit. The socket must be placed behind the duct cover on the ceiling (Fig. 16).

The structure must be fixed to the ceiling joists (minimum dimensions 2" x 4") with the anchor points at the centre of each joist. **DO NOT FIX TO THE CEILING PANELS.**

Fit the insular hood as follows:

1. Secure the drilling template in the required position on the ceiling. The 1/2" conduit connector must run within one of the two recesses (hatched areas) in the top mounting part on the ceiling (Fig. 16).
2. If possible using a pencil, pierce the points on the drilling template. Then mark these 6 points on the ceiling.
3. After checking the drill holes, the marked points intended for mounting the extractor can be drilled. Use a drill with a diameter of 10 mm (25/64").
4. Insert dowels in the holes you have drilled.
5. Take the mounting system out of the packaging and remove the 8 sheet metal screws (4 x 9 mm) with which the top and bottom mounting parts are screwed together.

# Installation

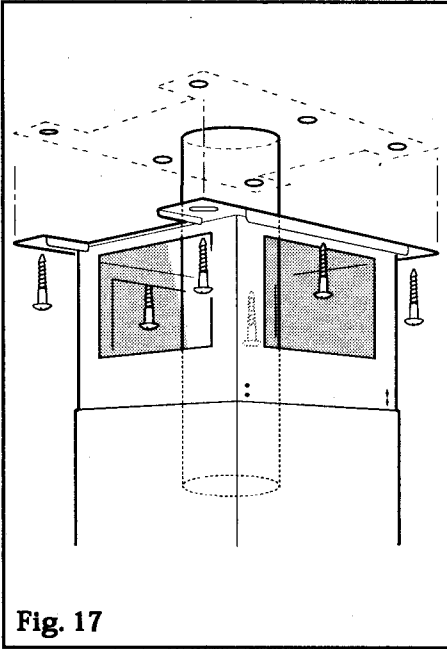


Fig. 17

Secure a  $\varnothing$  200mm hose that is so long that it will reach from the ceiling of the room (or from a side along the ceiling) up to the fitting on the outlet opening of the hood once it has been installed later on (Fig. 17).

Now secure the top part of the mount on the ceiling.



# Installation

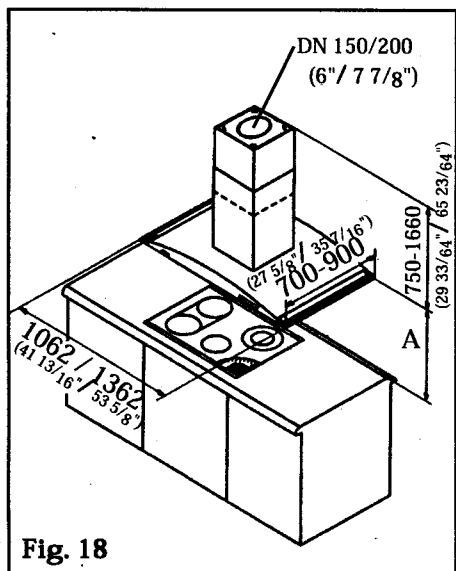


Fig. 18

- To be able to carry out further installation steps, it is necessary to precisely define the required distance between the work surface and the bottom edge of the insular hood (distance A; see Fig. 18):

The height of the extractor hood body (including motor housing) amounting to 275 mm (10 3/4") must be added to the chosen distance (minimum distance 70 cm (27 5/8")) from the work surface to the bottom edge of the hood.

The bottom edge of the bottom mounting part must be aligned to this dimension as follows.

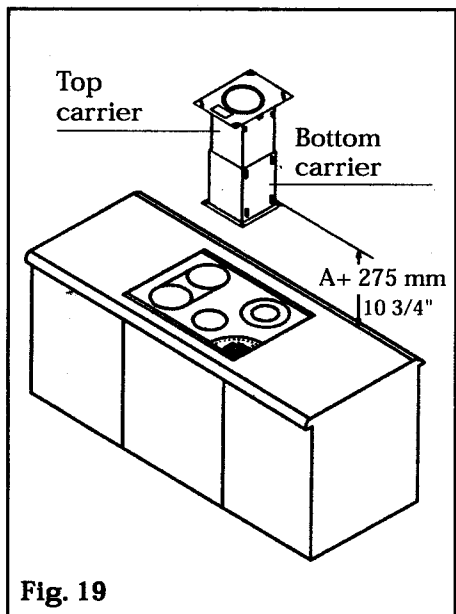


Fig. 19

- Push the bottom mounting part over the top mounting part suspended on the ceiling (Fig. 19). By means of the previously removed sheet metal screws (Item 5), screw together the two mounting parts so that the bottom edge of the lower mounting part is at the above-mentioned distance (A + 275 mm (10 3/4")) from the work surface (Fig. 19).

The connection between the two mounting parts is fixed in place by 4 screws on each mounting side (8 screws in total); only in this way can stability of the overall hood be ensured.

# Installation

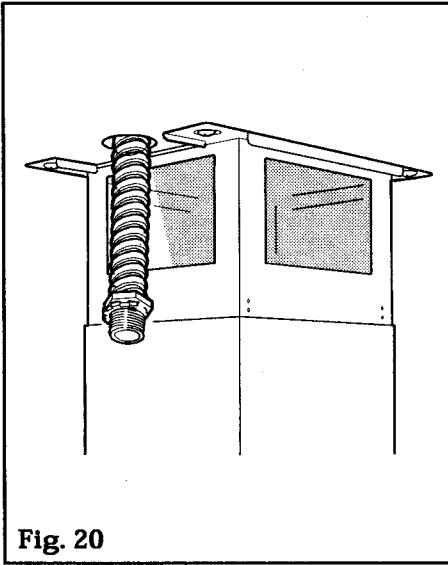


Fig. 20

8. Check if the conduit connector is long enough to reach the junction box on the cooker hood once the installation has been completed (Fig. 20).

9. Remove the protective film from the two duct covers before securing them on the ceiling as follows:

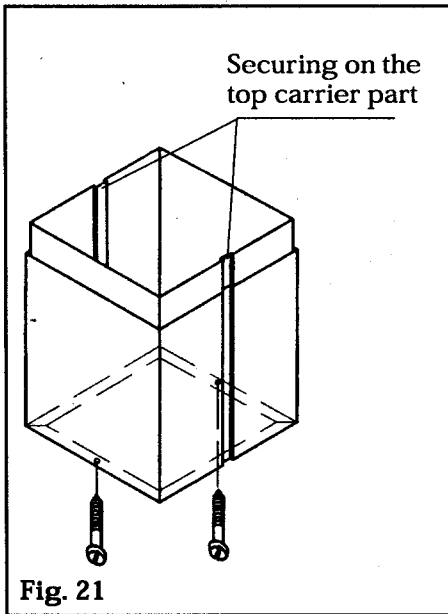


Fig. 21

10. As shown in Fig. 21, slide the duct covers completely inside each other and, by means of the enclosed sheet metal screws (3 x 9 mm) screw them to the base of the bottom duct covers.

# Installation

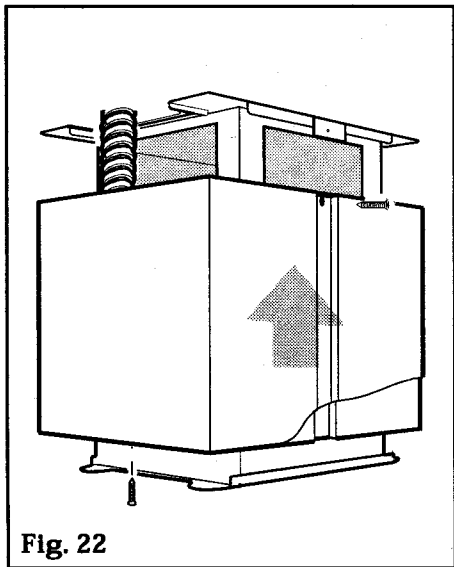


Fig. 22

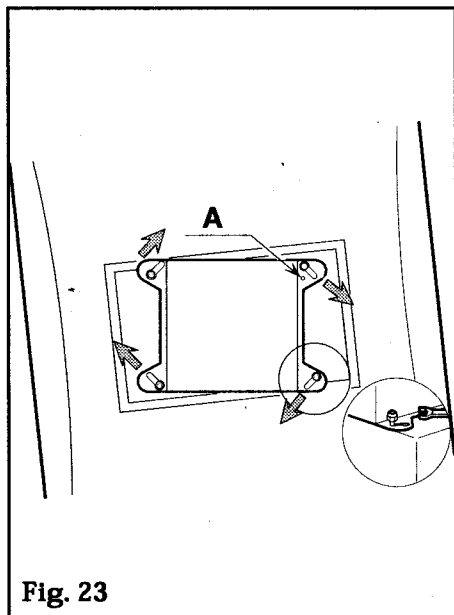


Fig. 23

11. Now slide the two duct covers over the mounting unit already assembled.

The longer, inner duct cover should be mounted on the lap plates for the top support piece using the 3.5 x 9.5 mm sheet metal screws provided (Fig. 22). However, if the exhaust duct is mounted on the side, the two 4 x 9,5 mm sheet metal screws must be used (Fig. 26).

### Note

The screws connecting the two duct covers must not yet be undone.

12. Fasten the body of the hood to the bottom support piece. The motor box with the 4 threaded pins should be mounted to the bottom support piece by inserting the pins into the holes and fastening them with the nuts.

**Note:** there are two nuts on each of the threaded bolts. The bottom of the two serves as a spacer and must not be removed.

To prevent the hood from falling during alignment, fasten it by inserting the safety screw (4 x 9 mm) into the „A“ hole (Fig. 23) and fastening it. Before tightening the nuts on the pins, the housing can be aligned by turning it slightly (Fig. 23). If the alignment between the body of the hood and the bottom support piece is incorrect, the two screws fastening the top duct cover to the top support piece must be loosened. To do so, the top duct cover must be pulled down into the bottom duct cover so that the screws

# Installation

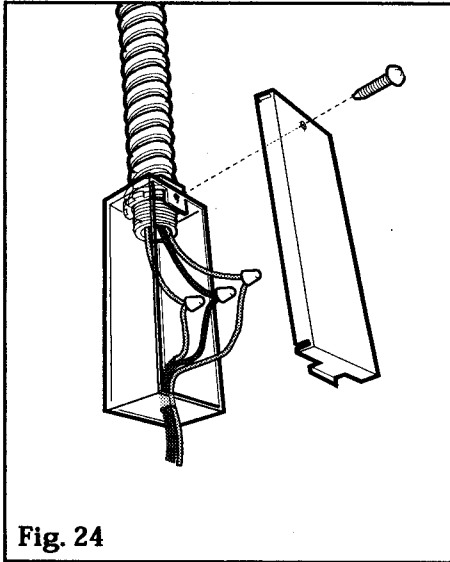


Fig. 24

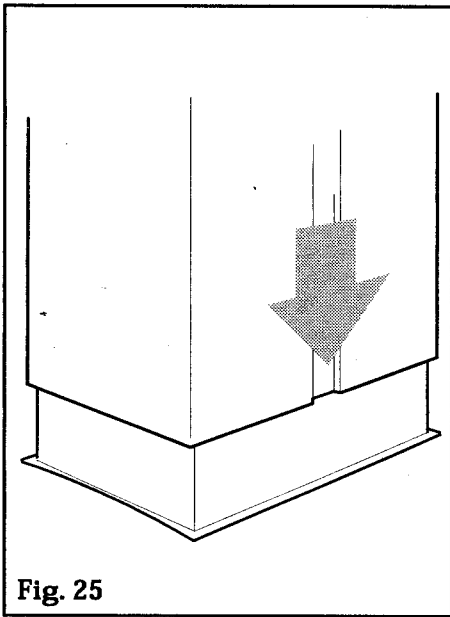


Fig. 25

fastening the top to the ceiling are exposed. Then loosen the screws and definitively align the insular hood. Repeat step 11 of the installation instructions.

13. Make wiring (Fig. 24):  
**WARNING:** Turn OFF power circuit at the service panel before wiring this unit.
  - a circuit of 120V AC, 15 or 20 AMP is required.
  - Remove the cover of the Junction box (situated close to the body of the motor housing) and install a 1/2" conduit connector on it.
  - run 3 wires black, white and green (#16AWG) in 1/2" conduit from service panel to junction box.
  - Connect black wire from service panel to black or red in junction box, white to white and green to green-yellow.
  - Close junction box cover.
14. Push the pipe onto the connecting piece of the respective adapter on the outlet hole of the hood and secure it with a hose clamp.
15. Now undo the screwed joint on the two duct covers (Fig. 21). Pull the bottom duct cover into the recess of the insular hood (Fig. 25).
16. Install the grease filters as described on page 8 (Fig. 13). Connect the insular hood to the power mains and check that the unit functions.

# Installation

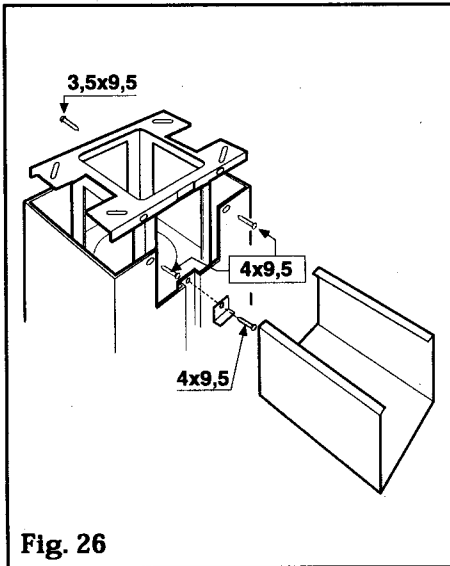
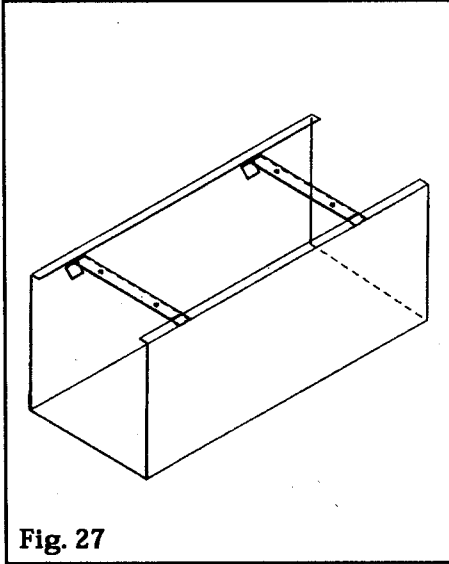


Fig. 26

Further installation steps are necessary if you have planned a lateral outlet on your insular hood. The lateral duct must be adapted individually to your installation situation and is not included in the scope of delivery of the KA unit.

17. Remove the three screws with which the top duct is secured on the carrier system.
18. Insert the top duct in the bottom one.
19. Fit the included 90° elbow onto the top of the exhaust air opening and secure the flexible pipe of the DN 150 adapter with a hose clamp.
20. Now slide the top duct over the carrier system to the ceiling and secure it on the ceiling (Fig. 26).

# Installation



**Fig. 27**

21. Using a 4 x 9 mm sheet metal screw, secure the mounting unit included with the lateral duct to the hole in the groove of the top duct cover. The groove is then later no longer visible (Fig. 26).
22. On the ceiling along which the lateral duct is to run, attach the brackets included with the lateral duct at certain intervals. First push the lateral duct under the flat side of the bracket and then press it over the protruding bracket (Fig. 27).

**Important:** brackets must always be placed in the same arrangement. The way in which the lateral duct is secured and the lateral ducts themselves differ depending on the country in which they are used. If you have any questions about installation, please contact your local after-sales service.

# Installation

## Notes on repair

If the appliance does not function correctly, check the fuses first. If the power supply is functioning correctly, but your appliance still does not work, notify your Gaggenau dealer, who will provide you with the address and telephone number of your nearest factory authorized service agent or contact

Gaggenau USA Corp., 425  
University Avenue, Norwood, MA  
02062, tel. 708-255 1766.

Repairs may only be carried out by authorized technicians in order to guarantee the safety of the appliance.

Unauthorized tampering with the appliance will invalidate any warranty claims.

The appliance must always be disconnected from the mains when being repaired.