

Dear Customer,

You have just acquired a **DE DIETRICH** dishwasher and we would like to thank you.

Our research teams have created this new generation of appliances for you. Their quality, design, features and technological advances make them exceptional products, and reveal our unique know-how.

Your new **DE DIETRICH** dishwasher will blend harmoniously into your kitchen and will perfectly combine washing and drying performance and ease of use. We wanted to offer you a product of excellence.

In the **DE DIETRICH** product range, you will also find a wide choice of hobs, ovens, microwaves, hoods, cookers, fridges, freezers, that you can coordinate with your new **DE DIETRICH** dishwasher.

Visit our website www.dedietrich-electromenager.com, where you will find our latest innovations as well as useful and complementary information.

DE DIETRICH

Setting New Values

As part of our commitment to constantly improving our products, we reserve the right to make changes to them based on technical advances to their technical and functional features and appearance.

 **Warning :** Before installing and using your appliance, please carefully read this Guide to Installation and Use, which will allow you to quickly familiarise yourself with its operation.

www.dedietrich-electromenager.com

1/ FOR THE USER'S ATTENTION	
• Safety instructions _____	34
• Protection of the environment _____	35
• Economical, environmentally friendly washing _____	35
2/ DESCRIPTION OF YOUR APPLIANCE	
• General presentation of the dishwasher _____	36
• Presentation of the control panel _____	37
3/ INFORMATION _____	38
4/ WHAT TO DO BEFORE FIRST USING THE MACHINE	
• Measure the water hardness and select the type of detergent ____	39
• Hardness table _____	39
5/ DETERGENT PRODUCTS AND ADJUSTING THE WATER SOFTENER	
• For traditional products _____	40
• For multi-purpose products _____	41
6/ LOADING OF REGENERATING SALT _____	42
7/ LOADING OF RINSING PRODUCT _____	43
8/ YOUR DISHWASHER'S EQUIPMENT	
• The lower basket _____	44
• The upper basket _____	44
• Cutlery drawers _____	45
• Loading aera divisions _____	46
9/ SETTING THE PARAMETERS _____	47
10/ WASHING PROGRAMMES TABLE _____	48
11/ PROGRAMMING _____	50
12/ YOUR DISHWASHER'S SAFETY SYSTEMS _____	52
13/ CLEANING YOUR APPLIANCE	
• Cleaning the waste filters _____	53
14/ IF OPERATING ABNORMALITIES OCCUR _____	55
15/ AFTER-SALES SERVICE _____	60
INDICATIONS FOR THE TESTING LABORATORIES _____	62



Important :

Keep this user's manual with your appliance. If the appliance is sold or transferred to someone else, ensure that the manual is with it. Please take note of these instructions before installing and using your appliance. They have been drawn up for your own and other people's safety.

• SAFETY INSTRUCTIONS

• Installation

- When you receive your appliance, unpack it or have it unpacked immediately. Check that it has not suffered any damage during transport. Express any reservations in writing on the delivery note, of which you keep a copy. Never connect up a damaged machine. If your appliance is damaged, please contact your dealer.
- Before proceeding to connect up your machine, please refer to the instructions in your Installation Guide.
- Your dishwasher must be kept disconnected from the mains supply throughout the whole of the installation process.
- The electrical connection details on your appliance's description plate must comply with those for the mains supply.
- The socket must still be accessible once your appliance has been installed.
- Do not alter or attempt to alter the appliance's characteristics. This could put you at risk.
- If your installation has to be altered, only entrust the electrical and plumbing work to a qualified electrician or plumber respectively.
- Your appliance is designed for normal domestic use. Do not use it for industrial or commercial purposes or for any other purpose than that for which it has been designed.
- Your appliance is designed to be used for household and similar applications such as:
 - staff kitchenettes in shops, offices and other professional environments,
 - farmhouses,
 - use by guests at hotels, motels and other residential-type facilities,
 - bed and breakfast type facilities.
- The dishwasher's walls must not be pierced under any circumstances.

• Children's safety

- This appliance is not intended for use by young children or infirm persons unless they have been adequately supervised by a responsible person to ensure that they can use the appliance safely.
- This appliance must only be used by adults. Ensure that children do not touch it and do not use it as a toy. Ensure that they do not operate the appliance's controls.
- Keep young children away from the appliance when it is operating.
- Detergents contain irritant and abrasive substances. These products can have caustic effects on the eyes, the mouth or the throat. They can be extremely dangerous if ingested. Avoid any contact with the skin and the eyes. Ensure that the appliance's detergent container is empty at the end of the washing cycle.
- Place detergents out of children's reach and do not put any detergent in the machine until just before you start the washing programme.
- The water in your dishwasher is not drinking water; this is why children must not go near the appliance when its door is open.
- Do not let your children play or sit on the door when it is open.
- Once you have unpacked your appliance, place the packaging out of children's reach.
- Keep all the packaging materials (e.g. plastic bags, polystyrene, etc.) out of children's reach because they can be dangerous for children (ie. risk of suffocation).

• Use

- This appliance is not intended for use by persons (including children) with reduced physical, sensory or mental capabilities, or lack of experience and knowledge, unless they have been given supervision or instruction concerning use of the appliance by a person responsible for their safety.
- When machine is running, do not open door. This may provoke steam leakage or splattering of water.

- Only use products specially designed for your dishwasher (water softening salt, detergent and rinsing products).
- As far as possible, avoid opening the dishwasher's door when it is operating, and in particular during the heating phases, because scalding steam may escape or you may be splashed with hot water. The machine is fitted with a safety system that immediately blocks the dishwasher's operation if the door is opened.
- Never use chemical solvents in your appliance because these could cause an explosion.
- Always close your appliance's door after loading or removing your items.
- Do not lean or sit on your appliance's door when it is open.
- You are strongly advised to disconnect the machine after use and turn off the water supply.
- Unplug your machine before carrying out any technical work on it.
- Avoid placing your machine immediately next to a cooking or heating appliance to prevent any risk of heat damage;
- Do not place any items in your machine, which are not certified as dishwasher safe.
- If you have removed an item before the end of the washing programme, it is important to rinse it carefully to remove any residual washing products.
- If your appliance breaks down, never attempt to repair it yourself. Any repairs made by non-qualified personnel can cause significant damage or lack of control.
- The machine complies with applicable safety regulations. Any repairs should be carried out by qualified technicians. Repairs or changes that do not conform may be dangerous for the users. In case of replacement, only use original parts.
- If the machine malfunctions due to other causes than those mentioned in this booklet, disconnect the machine (remove the plug) or break the circuit concerned and contact after-sales service.

• ENVIRONMENTAL PROTECTION

This appliance's packaging material is recyclable. Help recycle it and protect the environment by dropping it off in the municipal receptacles provided for this purpose.



Your appliance also contains a great amount of recyclable material. It is marked with this label to indicate that in countries that are a members of the European Union the used appliances should not be mixed with other waste. This way, the appliance recycling organised by your manufacturer will be done under the best possible conditions, in compliance with European Directive 2002/96/EC on Waste Electrical and Electronic Equipment. Contact your town hall or your retailer for the used appliance collection points closest to your home.

We thank you doing your part to protect the environment.

• ECONOMICAL, ENVIRONMENTALLY FRIENDLY WASHING

- Remove any food residue from your crockery (bones, pips, etc.)
- Do not pre-wash your items by hand (useless waste of water).
- Utilise your dishwasher's capabilities to the full for an economical, environmentally friendly wash.
- Always select a washing programme suitable for the crockery type and how dirty they are.
- Avoid overdosing with detergent, regenerating salt and rinsing liquid. Follow the recommendations in this guide (pages 39-40-41) and the instructions on the product packs.
- Ensure that the water softener is correctly set (see pages 40-41).

• **GENERAL PRESENTATION OF THE DISHWASHER**

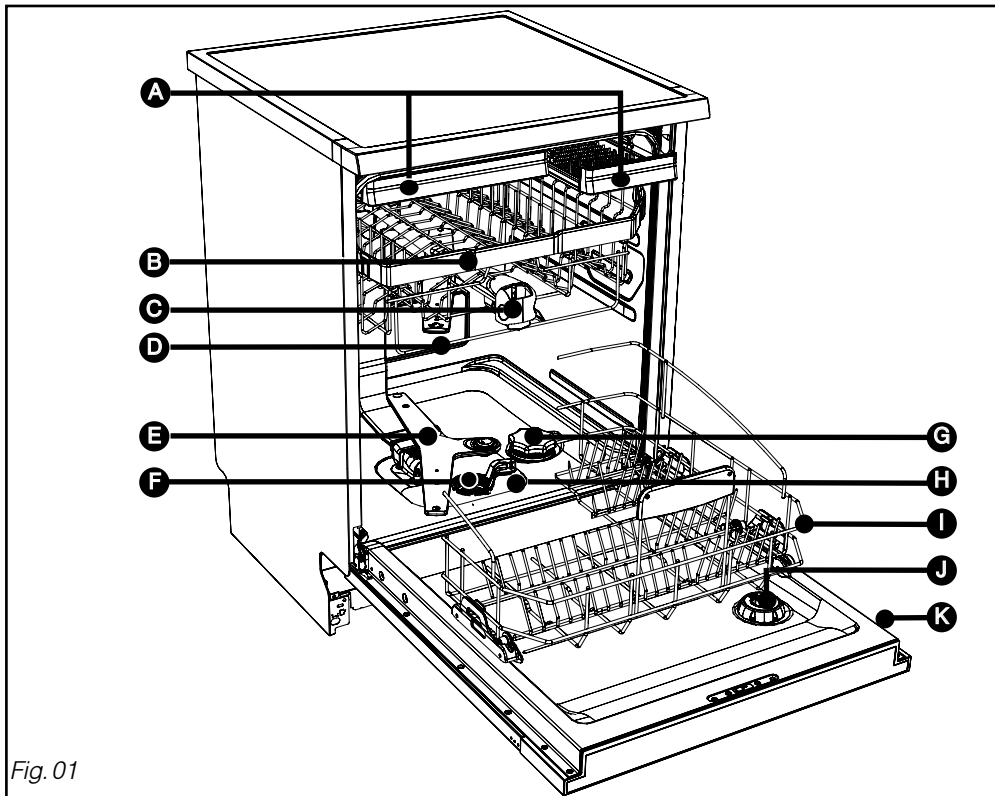


Fig. 01

- | | |
|------------------------------------|--|
| A Cutlery drawers | G Regenerating salt compartment |
| B Upper rack | H Main filter |
| C Wash product dispenser | I Lower rack |
| D Anti-block adjustment arm | J Rinse aid dispenser |
| E Lower sprinkler arm | K Information plate (Ref. S.A.V.) |
| F Scrap food filter | |



Advice:

This user's guide is applicable to several models. There may be some slight differences in the details and the equipment between your appliance and the descriptions provided here.

• PRESENTATION OF THE CONTROL PANEL

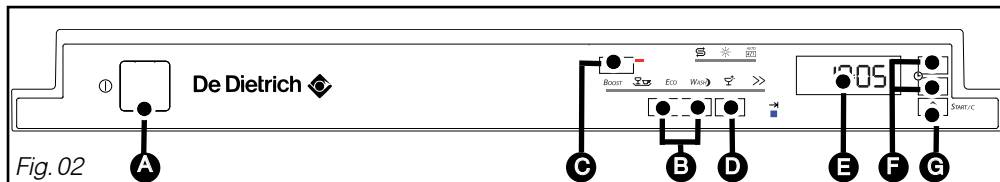


Fig. 02

A On/Off:

Press this button to start your dishwasher.

B Choosing a programme: briefly press one button or the other in succession to select your programme.

C ICS^c : Intelligent Control System press this button to select the Automatic programme.

D Set :

- A long press: Access to the Settings menus:
 - Set the current time,
 - Set the water softener,
 - Activate or deactivate use of “regenerating salt”, “rinsing product” or “Washing product” (depending on the water softener setting – see next page).
 - Beep at end of programme,
 - Set screen brightness.

E The screen shows you the current time, the finishing time, the remaining time for the programme and the parameter settings.

F Delaying the end of a programme:

Press one of the buttons or the other to select the time for the programme to end.



Advice:

A short audible signal (beep) confirm the button's selection, except for the “On/Off” button.

G Start/Cancel: Briefly press this button to start your programme.

If you make an error, to cancel a selection or cancel a programme while it is running, hold down this button for 3 seconds.

The indicator lights:



Salt:

When lit, it indicates lack of regenerating salt



Rinsing liquid:

When lit, it indicates lack of rinsing product



Washing product:

Indicates that your dishwasher is set for using “2, 3, or 4-in-1” tablets.



End :

lit; indicates that your programme has finished

**Important:**

To obtain impeccable washing and drying results from your dishwasher without any marks, you must set it carefully using the water softening system, which utilises regenerating salt.

As rainwater infiltrates into the ground it picks up mineral salts; some minerals are found in solid form and are commonly called 'lime'. This reduces the detergent's washing performance and leaves white marks on the crockery.

The more lime there is in the water, the 'harder' the water is.

- Use the most suitable washing products for the hardness of your town's water supply.
- There are several types of products:

For an impeccable clean, opt for using traditional products together:

- ① **Washing product** for a perfect clean (standard powder, liquid or tablets).
- ② **Regenerating salt** for your dishwasher's water softener to work correctly.
- ③ **Rinsing liquid** to assist drying and eliminate drip marks.

**Important:**

Never use normal washing-up liquid.

For ease of use and in certain water hardness conditions only (<25°F), multi-purpose products can make the use of regenerating salt and rinsing liquid unnecessary.

- **"Two-in-one" tablets** contain detergents and rinsing liquid or an agent serving the function of the salt.
- **"Three-in-one" tablets** contain detergents and rinsing liquid as well as an agent serving the function of the salt.
- **"Four-in-one" tablets** also contain additives that prevent wear on poor quality glasses or the risk of stainless items corroding.

**Important:**

Follow the instructions in the user's manual and the recommendations on the multi-purpose detergent's pack.

**NB:**

If in any doubt, please contact the detergent's manufacturer if the items are very wet at the end of the programme or if chalky deposits appear.

• MEASURE THE WATER HARDNESS AND SELECT THE TYPE OF DETERGENT: TRADITIONAL OR MULTI-PURPOSE

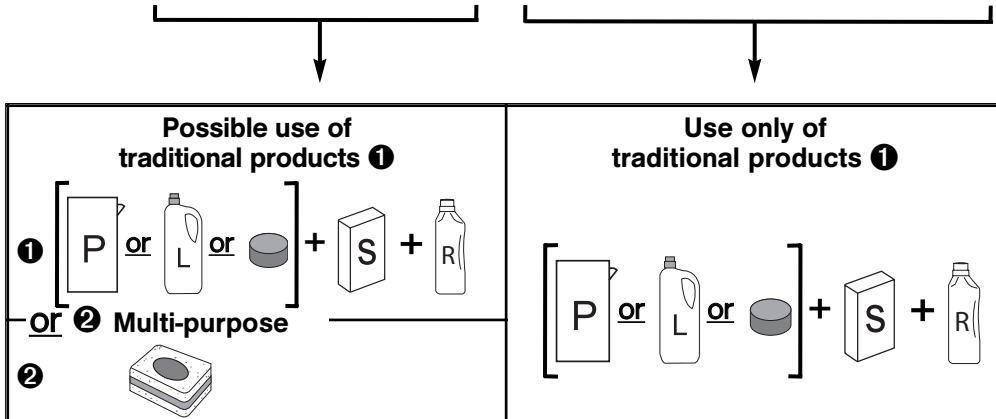
In one simple action, you can test your water's lime content using the testing strip supplied with your dishwasher. Alternatively, contact your local water utility to ascertain your water's hardness.

- Let the water run from the tap for a few moments.
- Fill a glass with water.
- Take the test strip from its holder and immerse it for 3 seconds.
- Wait 1 minute, shake it and look at the colours to ascertain your water's hardness.



• HARDNESS TABLE

Test strip	□□□□□	■□□□□	■□□□□	■□□□□	■□□□□	■□□□□	■□□□□
Hardness	0-10°F	10-18°F	18-25°F	25-40°F	40-55°F	55-70°F	> 70°F
Water	Soft	Slightly hard	Slightly hard	Hard	Hard	Hard	Very hard
Water softening and use of salt	Optional	Essential if using traditional products	Essential if using traditional products	Mandatory	Mandatory	Mandatory	Mandatory



- ① Traditional products: P : Powder detergent or L : Liquid detergent or single tablet
+ S : Regenerating Salt + R : Rinsing product
- ② Multi-purpose products: Multi-purpose tablets

• **FOR TRADITIONAL PRODUCTS**

- **Your machine must be specially adjusted to use traditional products.**

• **Proceed as follows to adjust the water softener on the control panel:**

- Access setting mode by holding down the “SET” button until you hear a double audible signal (long beep). Then press twice briefly to access the water softener setting.
- The water softener setting is displayed on the screen (for example H4).
- To adjust and alter the setting to suit the water hardness, keep on briefly pressing one of the keys or the other. The screen shows you the setting **H0 to H6**.
- The setting is validated automatically after 10 seconds if the “SET” button is not pressed again.
- Pressing “SET” enables you to validate the setting and move on to the next parameter.

Testing strip	□□□□□	■□□□□	■□□□□	■□□□□	■□□□□	■□□□□	■□□□□
Hardness	0-10°F	10-18°F	18-25°F	25-40°F	40-55°F	55-70°F	> 70°F
	0-1mmol/l	1-1.8 mmol/l	1.8-2.5 mmol/l	2.5-4 mmol/l	4-5.5 mmol/l	5.5-7 mmol/l	>7 mmol/l
Setting	H0	H1	H2	H3	H4	H5	H6

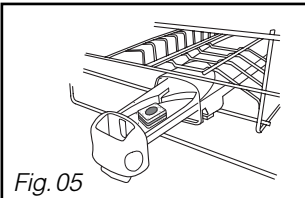
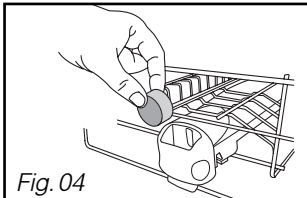
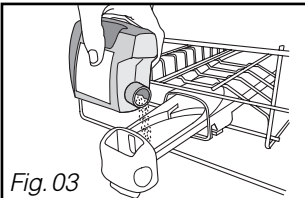
Factory setting : H4

⚠ Important:
It is very important to set the water softener correctly.
 - *If the setting is too low, there is the risk of chalky marks appearing.*
 - *if the setting is too high, there is the risk of causing clouding of the glasses.*
 If you relocate, adjust the water softener setting as required.

• **Traditional tablets**
 Non-multipurpose tablets should be placed in the external compartment (Fig 04) or, for optimum performance, pull out the dispenser drawer and lay the tablet inside (Fig 05).

• **Powders or liquids (Fig 13)**
 Fill at least up to the minimum mark for slightly dirty crockery and to the maximum mark for dirty crockery. If the crockery is very dirty and for programmes with a pre-wash we recommend that you add 5g of detergent (a dessert spoonful) into your dishwasher’s tub in accordance with the programmes table.

⚠ Important:
Keep these products out of children’s reach and away from dampness.
 Only use products specially designed for dishwashers.



EN 5/ DETERGENT PRODUCTS AND ADJUSTING THE WATER SOFTENER

• FOR MULTI-PURPOSE PRODUCTS AUTO 4/1

- Your appliance can be specially set to use multi-purpose if the water hardness is < 25°F or 2,5 mmol/l.



Advice:

To provide better coverage of the wide range of multi-purpose products available, your dishwasher's "AUTO 4/1" option has two possible settings, accessible via the "Set" button.

"Extra Dry" improves the drying results in the event of reduced performance from the "2-in-1", "3-in-1" or "4-in-1" types of multi-purpose product.

"Sparkling Clean" enables you to prioritise the sparkle of your crockery whatever the type of multi-purpose product used.

- **Proceed to set water softener**
 - Access setting mode by holding down the "SET" button until you hear a double audible signal (long beep).
 - The water softener setting is displayed on the screen (for example H4).
 - **To use multi-purpose tablets, you must select setting H0 or H1 or H2, depending on the water hardness.** To do this, keep on briefly pressing one or other of the $\leftarrow \rightarrow$ keys until you reach the desired setting.
- **Proceed to select the "Multi-purpose" AUTO 4/1 " option and set it**
 - OFF: deactivates the "Auto 4/1" option.
 - On: corresponds to activation of the "Auto 4/1" option with the **"Sparkling Clean" setting. This enables you to prioritise a brilliant finish for your crockery.**
 - On: corresponds to activation of the "Auto 4/1" option with the "Extra Dry" setting. **"Extra dry" enhances the drying results if performance is reduced.**
 - The "Auto 4/1" light then illuminates permanently if this option has been selected.
 - The setting is validated automatically after 10 seconds if the "SET" button is not pressed again.
 - Pressing "SET" enables you to validate the setting and move on to the next parameter.

		Testing strip			
		Hardness	0-10°F	10-18°F	18-25°F
			0-1 mmol/l	1-1.8 mmol/l	1.8-2.5 mmol/l
$\leftarrow \rightarrow$ SET <div style="border: 1px solid black; padding: 2px; display: inline-block; margin-left: 20px;">H1</div>	Multi-purpose products Function Deactivated	H0 <small>AUTO 4/1</small> OFF	H1 <small>AUTO 4/1</small> OFF	H2 <small>AUTO 4/1</small> OFF	
	Multi-purpose products Sparkling Clean	H0 <small>AUTO 4/1</small> On	H1 <small>AUTO 4/1</small> On	H2 <small>AUTO 4/1</small> On	
	Multi-purpose products Extra Dry	H0 <small>AUTO 4/1</small> On	H1 <small>AUTO 4/1</small> On	H2 <small>AUTO 4/1</small> On	



NB:

You can deactivate the "Salt" and "Rinsing" product lights if you are using multi-purpose products; this is done by using the "SET" button (page 47)

• Loading the multi-purpose tablet dispenser

To assist in loading the detergent, the distributor is situated on the front of the upper basket. It is compatible with all the products recommended for dishwashers.

- **Place the tablet** in the external compartment (Fig 04 on previous page) or, for optimum results, pull out the distributor's drawer and lay the tablet inside (Fig 05 on previous page).
- Close the dispenser.

• Loading of regenerating salt (Fig 06)

Filling with salt is essential for providing a good wash without marks. It regenerates the resins that soften the water, by removing its lime content (unless the mains water supply is soft enough). Refer to "Setting the water softener".



Important :

Only use special dishwasher regenerating salt. Do not use table salt or any type of cooking salt, this could damage your appliance's water softener.

- A** Unscrew and remove the stopper on the salt tank.
- B** Fill the tank with regenerating salt specially designed for dishwashers.
- C** Use the funnel supplied with your dishwasher. The first time, top up with water up to the rim of the tank.

• **Regenerating salt indicator:**

This illuminates when salt must be added. After the tank has been filled with regenerating salt, the indicator light may remain lit until the salt has dissolved sufficiently, usually after one cycle (of if the tank has not been filled completely; for example, when first putting the machine into service using the sample).

This can be deactivated as indicated in the paragraph "For multi-purpose products" setting table.



Important

If the salt overflows when filling the tank, to avoid oxidization of the tub it is advisable to remove the salt crystals or to run a Prewash programme.

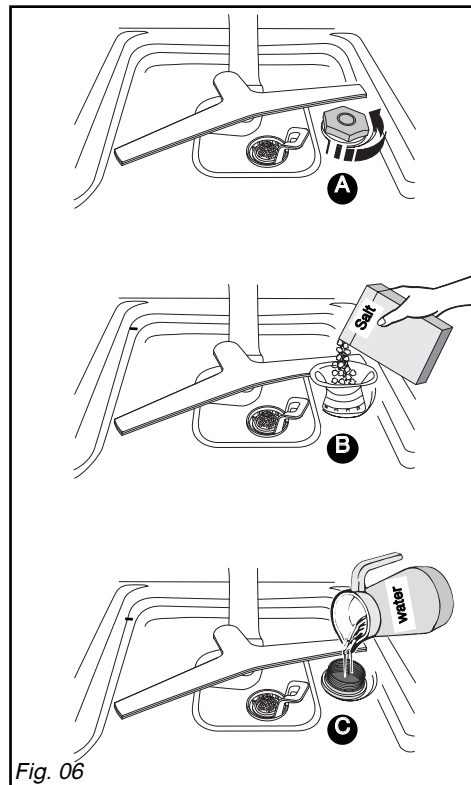


Fig. 06

• **Loading of rinsing product (Fig. 07)**

⚠ Important :
Only use a rinsing product designed for dishwashers. The rinsing product ensures your items shine and are well dried.

A B When first putting the machine into service, fill the tank until the level is flush with the top of the adjustment lever. Pour in at least all the rinsing product provided. The tank contains 120 ml (approximately one glass)

The original setting is in the centre (middle position: reference mark 2). If you encounter marks or poor drying after a few cycles, you can adjust the setting using the adjustment lever (fig 07 **C**); Reference mark 3 will increase the setting).

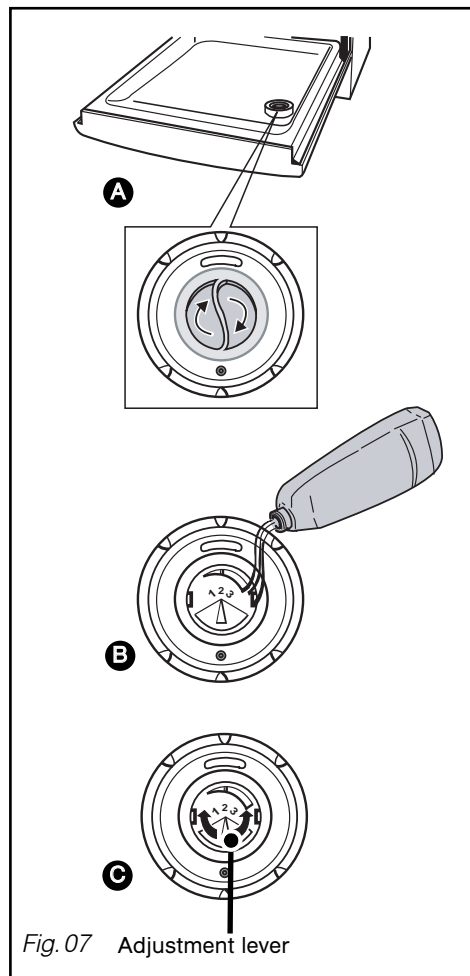
- Close the tank lightly

• **Rinsing liquid indicator light:** ✨

This illuminates when rinsing product is required.

It can be deactivated as shown in the paragraph "For multi-purpose products" setting table.

⚠ Important :
If any of the product overflows during filling, sponge up the excess to avoid producing foam.



Capacity: 14 place settings

⚠ Very important :
Items not suitable for washing in a dishwasher

- Wooden cutting boards,
- Stainless steel utensils or plastic utensils that are not heat-resistant,
- Copper or pewter items,
- Glued crockery and cutlery,
- Cutlery with wooden, horn or mother-of-pearl handles,
- Antique or hand-painted porcelain.

When purchasing crockery, glasses or cutlery, ensure that it is dishwasher-safe.

• THE LOWER BASKET

Arrange your items so that the water can circulate freely and spray over all the utensils. Place large diameter dishes and pans at the sides.

Do not intersperse, jam together or superimpose flat plates and concave dishes (Fig. 08).

🔍 Advice :
When you re-insert the lower basket, ensure that nothing catches on the upper basket's gauge wire to avoid blocking the rotor.

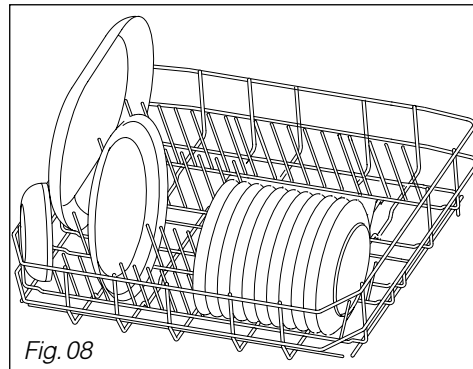


Fig. 08

🔍 Advice :
Unloading your items
First of all empty the lower basket to avoid drips from the upper basket falling onto the lower basket.

• THE UPPER BASKET

This basket is particularly designed to take: glasses, cups, ramekins, bowls, saucers, etc... Arrange your items methodically to save on space (arranging glasses, cups or bowls together, etc.)

You can also arrange cups, ladles, etc. on the retractable supports (Fig. 09)

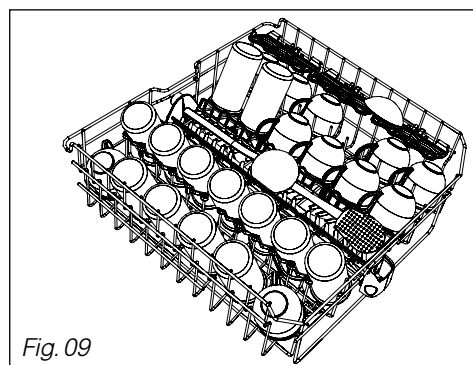


Fig. 09

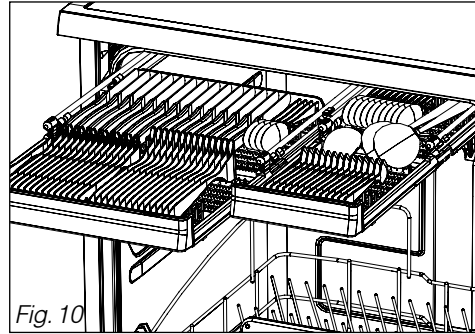
🔍 Advice :
Position the cavities of glasses, cups or bowls facing downwards.

• CUTLERY DRAWERS

Your dishwasher is equipped with 2 dividable cutlery drawers.

Pull out the drawers and arrange the cutlery separately between the dividers (fig 10).

You can arrange the cutlery in the dishwasher in different ways using the different divisions (see next page).

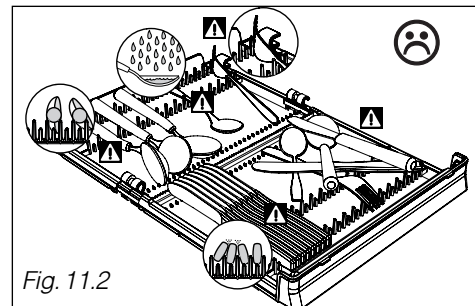
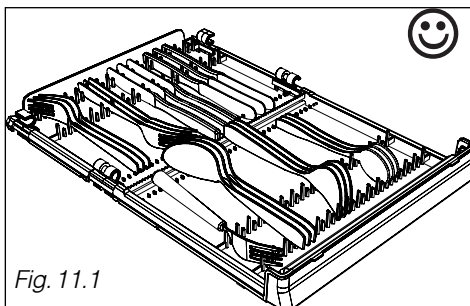


Tip:

Loading the cutlery in the drawers.

For optimum washing and drying, arrange the cutlery in the drawers as shown in fig. 11.1. Take care not to position it as shown in fig. 11.2 (items too close together, round handles not secured in place, items protruding over the edge of the drawer, etc.)

Bulky items of cutlery should be placed in the top basket.



• LOADING AREA DIVISIONS

• **Adjusting the height of the upper basket** (depending on the model)

For large dishes to be loaded in the lower basket, the upper basket must be set in to high position. This can be done with the basket fully loaded (Fig. 12)

① **Setting in HIGH POSITION :**

Gently raise your basket on each side until it engages.

② **Setting in LOW POSITION :**

Raise your basket completely on both sides to unlock it and then lower it to the low position.

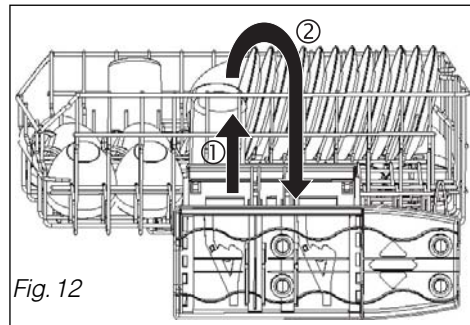


Fig. 12

⚠ Important : Check that the two slides are set to the same height and the basket is horizontal.

• **Removing a cutlery drawer:**

You may need to remove one of the cutlery drawers for tall items to fit, e.g. stemmed wine glasses.

- Empty the drawer you wish to remove, pull it out and then push it back in again to around 3 cm.

- Holding the drawer with one hand, disengage the runner from its hooks, pushing out the lower rod (fig 13). Repeat this process for the other runner.

- Push the runners back in, folding them inwards horizontally until you hear a click (fig 13.1).

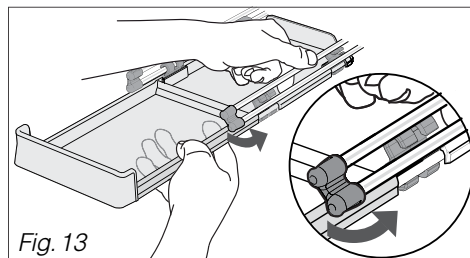


Fig. 13

• **Replacing a cutlery drawer:**

- Replace the rods vertically and pull on them. Fit and clip the hooks in place, first on one side, then on the other.

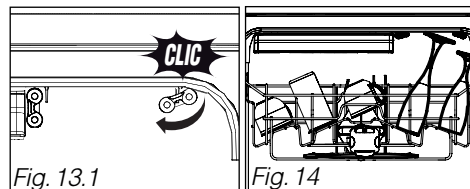


Fig. 13.1

Fig. 14

⚠ Important :

Important:

For safety reasons, place long-bladed knives and other steel cooking utensils in the cutlery drawer or place them flat in the upper rack.

Do not wash cutlery with horn handles in the dishwasher.

• **In the lower basket**

The folding spikes make it easier to arrange your large dishes (Fig.15).

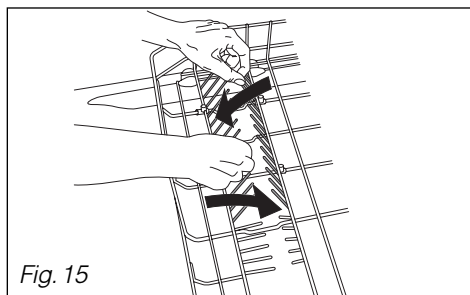


Fig. 15

• **SETTINGS POSSIBLE USING THE “SET” AND SELECTION BUTTONS:**

• **1 long press on the “SET” button and then a short press enables you to move on to the following parameters.**

Set the parameters by pressing one of the programme selection buttons or the other.

Move on to the next parameter by pressing “SET”.



Display

1 long press

> **Setting the clock (hour)**

To do this, hold down the “SET” button. When the time starts to flash, press one of the selection buttons or the other until you reach the desired time. Press SET to move on to the next parameter.

Briefly press the “SET” button once and then press one or other of the selection buttons

> **Setting the clock (minutes)**

Proceed in the same way as above; press one of the selection buttons or the other to set the minutes.

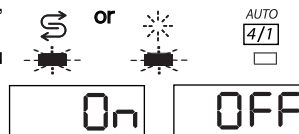
> **Setting the water softener**

Set to the level corresponding to the hardness of your water: H0 to H5.

> **Product use**

You can cancel display of the relevant indicators, depending on the products used:

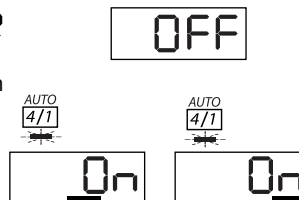
- Salt Set to **OFF** if you do not use salt or if you are using multi-purpose tablets.
- Rinsing product Set to **OFF** if you do not use a rinsing product or if you are using multi-purpose tablets.



> **Multi-purpose tablets: only for H0 to H2 activate the “Auto 4/1” option**

- For optimum product performance (depending on the water softener setting table on page 43), set:

- OFF To deactivate the “4/1” option.
- to select “4/1” with “Sparkling Clean”.
- to select “4/1” with “Extra Dry”



> **Beep at the end of the programme**

On to activate the function; **OFF** if you do not wish not to hear the beep at the end of the program.



> **Screen brightness**


Set the screen brightness to suit yourself from **Lu1** minimum to **Lu5** maximum.



Advice:

The setting is confirmed automatically when you move on to the next parameter or if the “Set” button is not pressed again within the next 10 seconds.

• PROGRAMMES TABLE

ITEM TYPE (porcelain, pans, cutlery, glasses)	Resistant	Mixed	Mixed
FOOD RESIDUE: Quantity, type and amount	Very dirty A large amount of dried-on residue, baked-on stains, grease, residue from frying, cooked cheese, sauce, etc.	Normally dirty A normal amount of dried-on and greasy residue on everyday items. Faster, but consumes more energy.	Normally dirty A normal amount of dried-on, adhering residue on everyday items.
PROGRAMMES	<i>BOOST</i>	Normal 	<i>Eco</i> **
PROGRAMME SEQUENCE	Hot pre-wash	Pre-wash	Pre-wash
	Washing at 70°C	Washing at 65°C	Washing at 55°C
	Rinse	Rinse	Rinse
	Hot rinse	Hot rinse	Hot rinse
	Air Drying	Air Drying	Air Drying
As an indication only:			
Duration in min	130' - 150'	90' - 120'	130' - 150'
Water (l)	17 - 19	17 - 19	15 - 17
Energy (kWh)	1,7 - 1,8	1,5 - 1,6	1,3 - 1,4

These values refer:


- to normal usage conditions with separated products (detergents, salt, rinsing product).

- only to multifunction product usage conditions

They may vary depending on the load, the water temperature, the softener setting, the presence of rinsing product and the supply voltage.

WASH)

Eco

Mixed	Glassware	Mixed	Mixed
<p>Normally dirty</p> <p>Recommended for normally soiled load, less consuming in energy.</p>	<p>For delicate glasses and dishware.</p> <p>This Crystal feature maintains the shine of your glasses longer by automatically adjusting the optimum softener level depending on the water hardness.</p>	<p>Very short 30-minute wash</p> <p>specially designed for a small amount of daily items with a limited amount of non-greasy residue, not dried on.</p>	<p>Intelligent Control System</p> <p>Automatically detects the amount of washing up and the level of soiling.</p> <p>Normal amount of dried on residue on everyday items. Faster, but consumes more energy.</p>
WASH *	CRYSTAL + 	Rapid >>	ICS
Washing at 50°C	Washing at 45°C	Washing at 45°C	Pre-wash
Rinse	Rinse	Rinse	Washing at 55/65°C
Hot rinse	Hot rinse	Hot rinse	Rinse
Air Drying	Air Drying	Natural drying	Hot rinse
205' 10 0,97	75' 14 0,95	30' 11 0,8	Air Drying
			100' - 130' 17 - 19 1,4 - 1,6

Recommended programme:

* EN50242

** IEC 436/DIN 44990

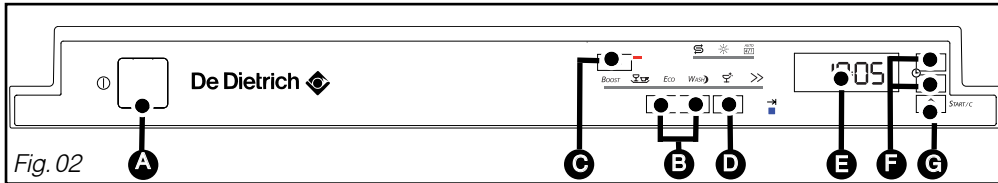


Fig. 02

Advice: Consult the Programmes table on the preceding pages to determine the programme you need for the type of items, the quantity and the amount of food residue.

• Starting the appliance

Press the “On/Off” button **A** to switch the machine on.

• Starting a programme immediately

Select your programme by pressing one of the selection buttons **B**.

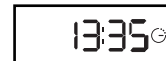
– The Auto programme can be accessed by pressing the “ICS” button **C**.

– The button scrolls the programmes to the left (if the “BOOST” programme is selected, pressing this button causes the “Rapid >>” programme to be selected).

– The button scrolls the programmes to the right (if the “Rapid >>” programme is selected, pressing this button causes the “BOOST” programme to be selected).

– When a programme is selected, the relevant indicator light illuminates. The screens shows the envisaged time that the programme will end.

Finishing time



Press “Start/C” **G**; the screen shows the remaining time for the programme. Close the door; the programme starts.


Programme time remaining, progress



A short audible signal (beep) confirm the button’s selection, except for the “On/Off” button.

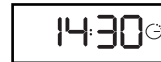
- **Delaying the end of a programme** 

Programme the finishing time, in quarter of an hour stages, by pressing the + or – buttons until you reach the desired time.

Confirm by pressing “Start” .

The screen counts down hour by hour until the programme starts.

Waiting for delayed start



Programme time remaining, progress




- **End of the programme** →

The light flashes 15 minutes before the end of the programme and then lights permanents once the programme has finished.


End of programme



- **Cancelling a programme**


Hold down the “Start / Cancel”  button for a few seconds..

- **Stopping the appliance**

When the programme has finished, press the “On/Off” button .

- **Setting the audible signal**

The setting enables you to activate or de-activate the beep at the end of the programme.

– Access the setting holding down the “SET” button  until you hear a double signal (long beep). Keep on pressing “Set” successively until you have access to the parameter:

Beep activated



Beep de-activated



The setting is confirmed automatically after 10 seconds or by pressing “SET” (switching to the next parameter “Screen brightness”).

- **SAFETY SYSTEMS**

- **Door poorly closed**

If the door is poorly closed, the confirmed programme is automatically cancelled after 3 minutes. If you open the door during the cycle, the programme light flashes.

- **Programme access lock**



Throughout the period the programme is running, or the full duration of the programme, the programme selector and the buttons are automatically protected from any kind of manipulation. This unlocks automatically at the end of the programme or when the programme is cancelled by holding down the "Start" button for 3 seconds.

- **Advice on cleaning the filters**



Approximately every month, your dishwasher advises you to proceed to service the filters (see Section "Cleaning the waste filters" - Fig. 14-15).

- **Anti-overflow system**

This system activates the drain pump automatically if the water in the tank reaches an abnormal level.

- **Anti-leak protection system**

This system cuts off the water supply if a leak is detected under the appliance.

- **Total safety**

This supply pipe is fitted with a device to cut off the water supply directly at the tap if there is a leak.



- **Alarm light**

For programme errors or incidents (please refer to Section 14 "If an operating abnormality occurs").

**NB:**

To unlock, hold down the Start / Cancel button for three seconds.

• CLEANING THE WASTE FILTERS

The filtration system consists of several elements:

- A** - The waste filter
- B** - The large main filter
- C** - The micro filter

The filters are located in the centre of the tub and must be washed regularly to obtain optimum washing results.

Actions :

- ① Before removing the filters, remove any waste on the large main filter **B** with a sponge so that the waste does not block the sprinkler arms. Rotate the spray arm as shown in the drawing. (Fig. 14)
- ② Loosen the waste filter a quarter of a turn and then remove it **A**
- ③ Remove the main filter **B**
- ④ Remove the micro filter **C**

- ⑤ Carefully clean filters **A**, **B** and **C** under running water (Fig. 15)

Re-installation:

Proceed in reverse order, inserting filters **C** and **B** and then **A**

Important :

Remember to lock the waste filter **A in place by pushing it in fully and turning it a quarter turn.**

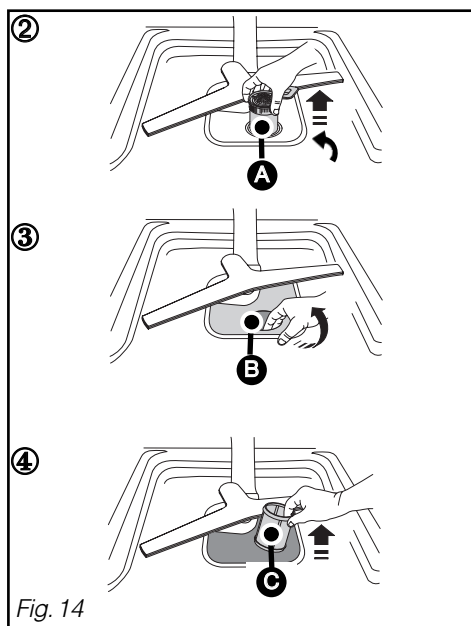
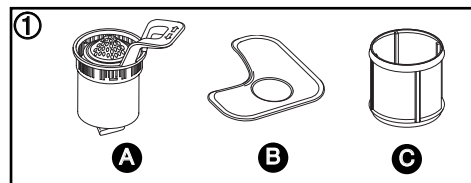


Fig. 14

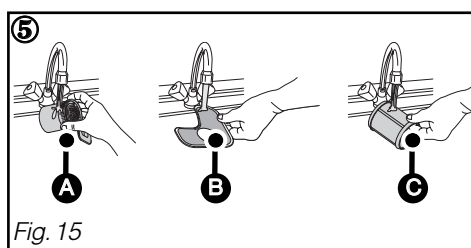


Fig. 15

- **Periodically**

Every 3 or 4 months, in order to remove any deposits, run a special maintenance programme, without any items in the machine, using a special dishwasher cleaning product.

**Important :**

Keep this product out of children's reach.

- **If not using your dishwasher for a prolonged period:**

Clean your dishwasher completely and then unplug it from the electricity supply and close the water tap. Protect your machine from potential frost.

**Advice :**

Do not use abrasive powders, metal sponges and alcohol-based or thinner-based products. Use a cloth or a sponge.

If you are moving house, run a soaking programme first of all, in order to avoid any water escaping.

• **SUMMARY OF THE FAULTS**

d01: water supply fault (tap)	d07: overflow / anti-leak fault
d02: draining fault	d08: sprinkling distribution fault
d03: heating fault	d11: pressure sensor fault
d04: temperature fault	d12: filling fault (water inlet detection system)
d05: fault – motor under load	d13: overheating fault
d06: fault - motor overload	d14 : installation fault : (incorrect drainage connection or inadequate flow rate and tap).



Tip:

If one of the above faults occurs and you need to call a repair man, remember to tell him the message displayed (d01, d02..) as this information will help him.

• **BEFORE CALLING FOR SERVICE**

Problem	Possible causes	What to do?
The door falls heavily when opened (integratable model)	- Door springs not tensioned enough to compensate for the weight of the panel.	- Tighten the two tensioning screws accessible in the bottom section above the front feet.
The door does not stay horizontal when open or returns too quickly (integratable model)	- Door springs tensioned too much. - No wooden panel.	- Loosen the two tensioning screws accessible in the bottom section above the front feet. - Fit a temporary wooden panel on the appliance and adjust the springs.
The door catches when closing	- Appliance not stable - Door not centred on the tub	- Adjust the feet. - Re-centre by adjusting the rear feet.
The upper basket does not stay in the high position	- Poor manipulation (the basket is being pulled upwards too quickly)	- Act more progressively (see instructions), one side and then the other.
Small leak around or under the appliance (move the appliance to locate the leak)	- Leak from the tap. - Leak from the appliance. (Cf. table fault d07).	- Check that a seal is fitted and retighten the nut. - Close the water tap and call a technician.
Small leak at the door	- Appliance not stable or not level - Door not centred on the tub.	- Adjust the feet. - Re-centre by adjusting the rear feet.

• **THE INDICATOR LIGHTS**

Problem	Possible causes	What to do?
The salt light does not go out	- No salt or an insufficient quantity of salt in the tank to trigger the float.	- Refill the tank and wait for the cycle to end. If you have soft water that requires no salt, the light is constantly lit.
The lights all light up one after the other	- Wrong programme.	- Cancel the current programming by holding down the Start button for 3 seconds and then re-programme.
A light flashes and the programme does not start	- Programme selector wrongly positioned (between two notches)	- Reposition the selector on a programme.

• **RELATING TO PROGRAMMING, DISPLAY**

Problem	Possible causes	What to do?
The cycle lasts too long	- The energy-saving programmes last longer because the agitation and drying times are longer to compensate for the lower washing and drying temperatures	- Use these programmes preferably at night when it is not so important how long the programme lasts or when it ends.
The appliance trips the circuit breaker	- Insufficient amperage to supply all the appliances being operated simultaneously. - Internal fault in the appliance.	- Check the socket's amperage (10A minimum) and the meter's capacity. - Call a technician.
The appliance does not start	- No mains power to the socket. - Tap closed (Cf. table fault d01). - Water supply hose kinked. - Selection error or programme blocked. - Start button pressed too long (greater than 2 secs). - Appliance in Safety mode (anti-leak) (Cf. table fault d07).	- Check the socket and the fuse - Check the tap is open. - Check the hose line is OK. - Cancel by holding down Start for 3 secs and re-programme. - Just press Start briefly to start the programme. - Call a technician.

Problem	Possible causes	What to do?
The appliance will not restart	- Door opened during a washing cycle.	- Wait for the time delay to end (controlled internally by the appliance).
The appliance does not drain (Cf. table fault d02).	- The cover has not been removed from the sink's U-bend. - Drain hose kinked. - Filters totally blocked. - Pump blocked.	- Remove the cover. - Check the drain hose line behind the machine is OK. - Remove and clean the filters and the drain. - Initiate a Soaking programme If the fault persists, call a technician.
The appliance will no longer function (see table, fault 14).	- installation of non-compliant drainage system: drainage too low down or pipe pushed too far in. - siphoning: the appliance is emptying as the same time as it is filling up.	- adhere to the drainage tube installation dimensions.

• POOR WASHING RESULTS

Problem	Possible causes	What to do?
Food traces and deposits in the glasses	- Items poorly arranged (masked by another larger item or situated underneath it, items nested or jammed together). - Upper spray arm blocked by cutlery or a dish etc. - Filter poorly locked and lifting during washing. - Micro filter screen clogged. - One or more holes in the spray arm blocked.	- Arrange the items properly. Use the most appropriate areas and accessories for each type of item (see instructions). - Check that the spray arm rotates freely. Set the basket in the high position if necessary. - Check the filter's facing and that the filter is locked in place (push it in fully, turning it to the right). - Remove all the filters and clean them (in warm water), including the micro filter's screen (once a month). - Remove the spray arm by turning the lever a quarter of a turn and clean it under the tap (do not use any tool that could damage the holes). Re-install the spray arm.
Traces of grease	- Detergent dose too low; inefficient detergent; stale product. - Inappropriate programme (temperature too low; duration too short).	- Increase the dose; try another detergent. - Select a programme with a higher temperature.

• **POOR WASHING RESULTS..**

Problem	Possible causes	What to do?
White marks (identify what type)	<ul style="list-style-type: none"> - Chalky film (removable with vinegar). - Traces of salt (items have a salty taste). 	<ul style="list-style-type: none"> - Check that there is salt in the tank (light unlit = OK). - Check the water hardness at the tap and that the water softener is set correctly. Adjust it to a higher level if necessary. - Water too hard for using a "4-in-1" detergent without the addition of salt. - Check that the stopper on the salt container is closed correctly.
White marks (identify what type)	<ul style="list-style-type: none"> - Glass cloudy because water too soft (cannot be removed). 	<ul style="list-style-type: none"> - Check the water hardness at the tap and that the water softener is set correctly. Some detergents in pellet form are more aggressive to glasses and decorations (change the product and use a protective product if necessary).
Coloured marks (tea, wine, coffee)	<ul style="list-style-type: none"> - Items poorly arranged - Detergent dose too low; inefficient detergent - Programme temperature too low. - If you use a multifunction product. 	<ul style="list-style-type: none"> - Turn the cavities in the items towards the jets. - Increase the dose; try another detergent. - Select a more suitable programme with a higher temperature. - Use the "4-in-1" option (depending on the model).
Streaks or dried droplets on glasses	<ul style="list-style-type: none"> - Lack or insufficient amount of rinsing product. - Rinsing product out-of-date or inefficient. - If you use a multifunction product. 	<ul style="list-style-type: none"> - Check the indicator light and fill the tank completely. Adjust the dispensing unit to a higher position if necessary. - Use a recent product (a good product dilutes easily and foams in cold water). - Use the "4-in-1" option with a setting prioritizing drying (parametering from the menu – depending on the model).
Dried-on marks on glasses, dullness.	<ul style="list-style-type: none"> - If you use a multifunction product. 	<ul style="list-style-type: none"> - Use the "4-in-1" option with a setting prioritizing brilliance (parametering from the menu – depending on the model).

• **POOR OPERATION**

Problem	Possible causes	What to do?
Constant filling A lot of waste on the large filter at the end of the cycle.	- Drain hole situated too low for the appliance (Cf. table fault d012). - The filters and drain outlets are blocked with too much residue.	- Drain wand has fallen on the floor. - Remove and clean the filters and the bottom of the drain outlets. Remove large residue from the plates before putting them in the machine.
Traces of rust on stainless steel	- Quality of the stainless steel ; not dishwasher-safe (knives in particular)	- Use "special dishwasher-safe" cutlery. - Check that the lid on the salt container is closed correctly.

• **POOR DRYING RESULTS**

Problem	Possible causes	What to do?
A lot of droplets on the glasses	- Lack or insufficient amount of rinsing product. - The dose has not been distributed. - Positioning of the items.	- Check the indicator light and fill the tank completely. - If the tank is not empty after approximately 60 washings, call a technician. - Arrange the items to restrict water retention as much as possible. Leave the door ajar for a few minutes, if possible
Droplets on plastic items, Tefal coatings, etc.	- These items have a low caloric mass.	- Arrange the items in the upper basket.
Poorer drying on rapid programmes	- On rapid programmes, the drying temperature and drying period are reduced to cut down the duration of the cycle as much as possible.	- Leave the door ajar for a few minutes.
Condensation on the wall of the inside door or the tub.	- Condensation may form on the walls, particularly after the appliance has cooled down (sound insulation increases this occurrence)	

• INTERVENTION WORK

Any intervention work on your appliance must be performed by a qualified professional approved by the manufacturer. When you call, please mention the full reference for your appliance (model, type and serial number). This information is shown on the description plate (see Fig. 16)

ORIGINAL PARTS

When maintenance is being carried out, ask for only certified original spare parts to be used.

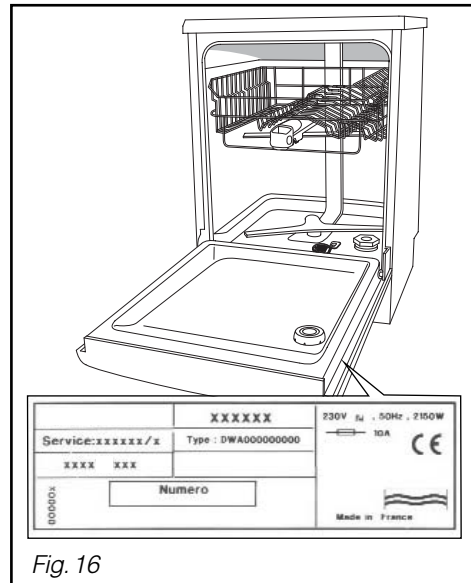


Fig. 16

EN

NOTE

INDICATIONS FOR THE TESTING LABORATORIES

• **Details common to all models**

- Washing capacity ----- 14 standard place settings
 - Arrangement of the items ----- Figs. A-B-C; see above and next page
 - Loading as per the indications on next page, with one side shelves
 - Setting for upper basket ----- Low position
 - Setting for rinsing product distributor ----- 3
 - Adjusting the water softener ----- 1.8 - 2.5 mmol/l
- (See § 5 “detergent products and adjusting the water softener” for details).

For detailed information on the comparison tests regarding the level of soiling, the types of crockery and cutlery, etc., contact the equipment manufacturer before commencing the tests.

• **Tests to Standard EN 50242**

- Recommended programme ----- see Programmes table
- Dosage of detergent ----- 35 g of detergent B

• **Tests according to the mixed IEC 436/DIN 44990 method**

- Recommended programme ----- see Programmes table
- Dosage of detergent ----- 5 + 30 g of detergent C

NB: When conducting tests using a multi-function tablet: Setting for hardness < 2.5 mmol/l
(See § 5 for details)

- Check that the water softener is correctly set for the water hardness
- Pull out the detergent distribution drawer and place the tablet in the interior compartment.

• **Built in or full built in model: Measuring the noise level in accordance with Standard EN60704-2-3**

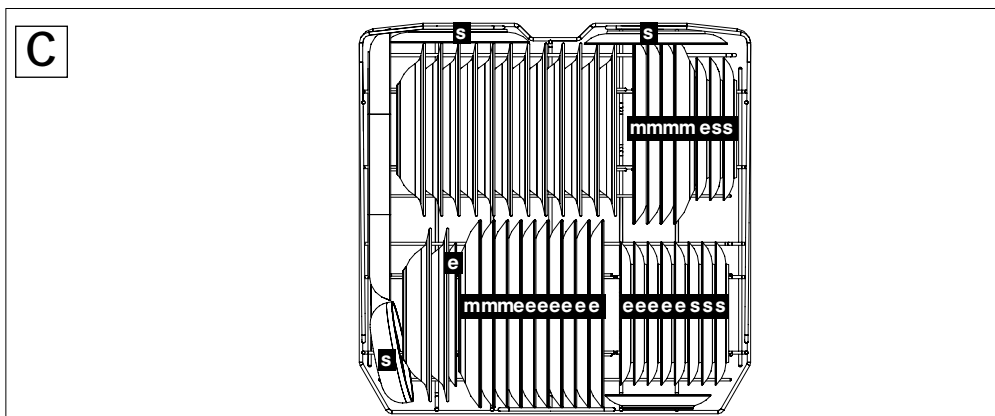
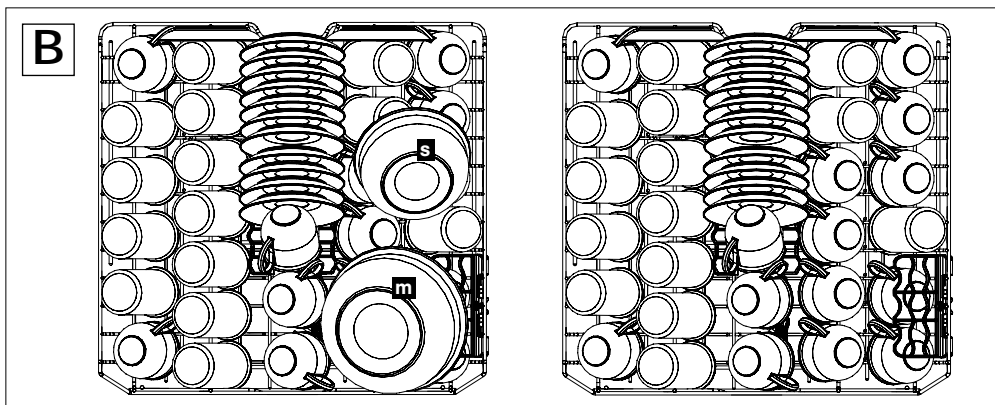
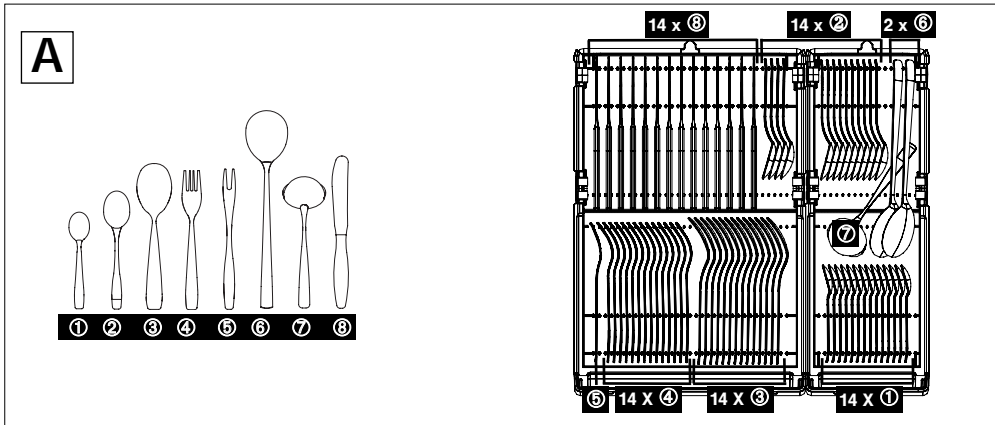
- Align the plinth on the housing unit with the door panel.

INDICATIONS FOR THE TESTING LABORATORIES

e: egg/oeuf

m: meat/viande

s: spinach/épinards



EN After Sales Service:

Any maintenance on your equipment should be undertaken by:
- either your dealer,
- or another qualified mechanic who is an authorized agent for the brand appliances.

When making an appointment, state the full reference of your equipment (model, type and serial number). This information appears on the manufacturer's nameplate attached to your equipment.

FR Service après vente :

Les éventuelles interventions sur votre appareil doivent être effectuées :

- soit par votre revendeur,
- soit par un autre professionnel qualifié dépositaire de la marque.

Lors de votre appel, mentionnez la référence complète de votre appareil (modèle, type et numéro de série). Ces renseignements figurent sur la plaque signalétique fixée sur votre appareil.

DE Kundendienst :

Eingriffe an Ihrem Gerät dürfen nur:

- von Ihrem Händler oder
- von einem sonstigen Fachmann und Vertragshändler der Marke durchgeführt werden.

Geben Sie bei der Meldung einer Störung die vollständige Typenbezeichnung Ihres Gerätes an (Modell, Typ, Seriennummer). Diese Angaben finden Sie auf einem an Ihrem Gerät angebrachten Schild.

ES Servicio postventa :

Las intervenciones que requiera la máquina deberán ser efectuadas:

- por el revendedor,
 - o por cualquier profesional cualificado depositario de la marca.
- Al llamar, mencione la referencia completa de la máquina (modelo, tipo y número de serie). Estos datos figuran en la placa de identificación situada en la máquina.

PT Serviços autorizados :

Qualquer intervenção no seu aparelho deve ser realizada:

- quer pelo seu revendedor,
 - quer por outro profissional qualificado autorizado pela marca.
- Ao chamá-los, indique a referência completa do seu aparelho (modelo, tipo e número de série). Estas informações figuram na placa de identificação fixada no aparelho.

DA Kundeservice :

Eventuel vedligeholdelse af apparatet skal foretages:

- enten af Deres forhandler,
- eller af en kvalificeret fagmand, som er anerkendt til dette mærke.

Når De ringer op, skal De angive apparatets fulde reference (model, type, serienummer). Disse oplysninger står på typeskiltet, der sidder på apparatet.

NL Serviceafdeling:

De eventuele ingrepen in de machine moeten worden uitgevoerd :

- of door uw vakhandelaar,
 - of door een andere gekwalificeerd technicus van dit merk.
- Tijdens het telefoneren, dient u de complete referentie op te geven van uw machine (model, type, serienummer). Deze informatie staat op het typeplaatje op de machine.

PL Usługi serwisowe :

Wszelkie czynności serwisowe wykonywane na urządzeniu muszą być wykonane przez:

- sprzedawcę,
- wyspecjalizowany zakład naprawczy posiadający atest producenta.

Aby przyspieszyć i ułatwić obsługę prosimy o podanie dokładnych danych dotyczących urządzenia (model, typ, numer seryjny). Wszystkie te dane znajdują się na tabliczce znamionowej umieszczonej na urządzeniu.

CS Záruční servis:

Případné opravy na přístroji může provádět pouze :

- váš prodejce
 - nebo záruční opravna, která má smlouvu s výrobcem
- Při telefonickém styku uvádějte úplné označení vašeho přístroje (model, typ a výrobní číslo). Tyto údaje jsou uvedeny na výrobním štítku přístroje.

RU Сервисное обслуживание:

При необходимости ремонта Вашей машины, он должен производиться:

- либо тем, кто ее продал Вам;
- либо специалистом, имеющим квалификацию по ремонту данной модели.

При обращении в службу ремонта укажите все данные Вашей машины (модель, тип и серийный номер). Эти данные указаны на идентификационной табличке, закрепленной на устройстве.

EL Τεχνική υποστήριξη:

Οι ενδεχόμενες επεμβάσεις πάνω στη συσκευή σας θα πρέπει να διενεργούνται:

- είτε από τον προμηθευτή σας,
- είτε από το κατά τόπους εξουσιοδοτημένο σέρβις.

Σε περίπτωση που τηλεφωνήσετε, θα πρέπει να αναφέρετε όλα τα στοιχεία της συσκευής σας (μοντέλο, τύπο και αριθμό σειράς). Τα στοιχεία αυτά αναγράφονται στην ετικέτα των χαρακτηριστικών του κατασκευαστή που βρίσκεται πάνω στη συσκευή.

DW3M00110-00-1/4-08/10

FagorBrandt SAS, localitaire-gérant - SAS au capital social de 20 000 000 euros RCS Nanterre 440 303 196.